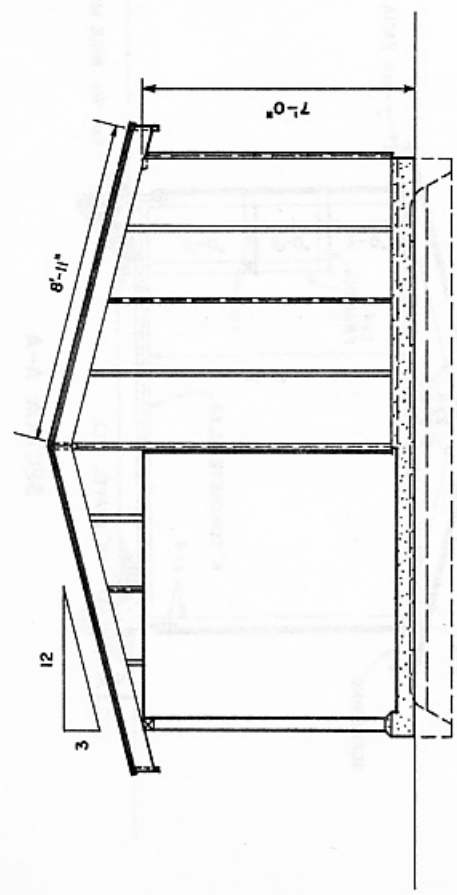
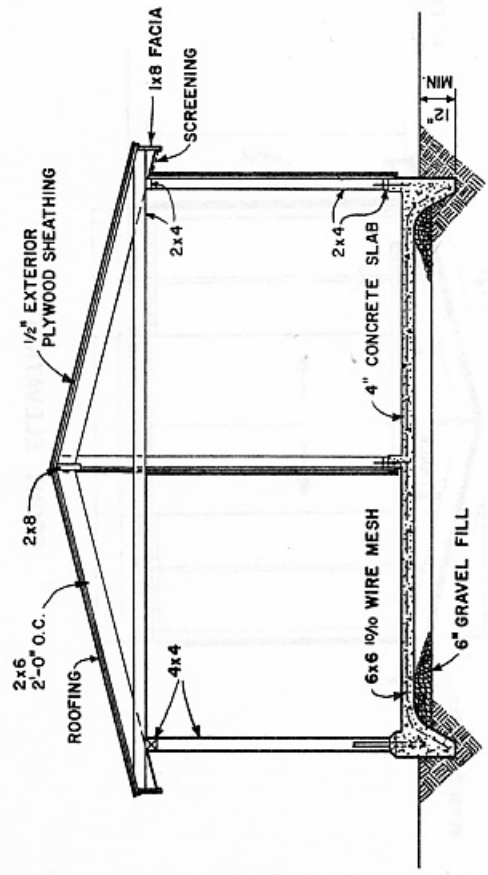


PLAN

TYPE I



SIDE ELEVATION



SECTION A-A

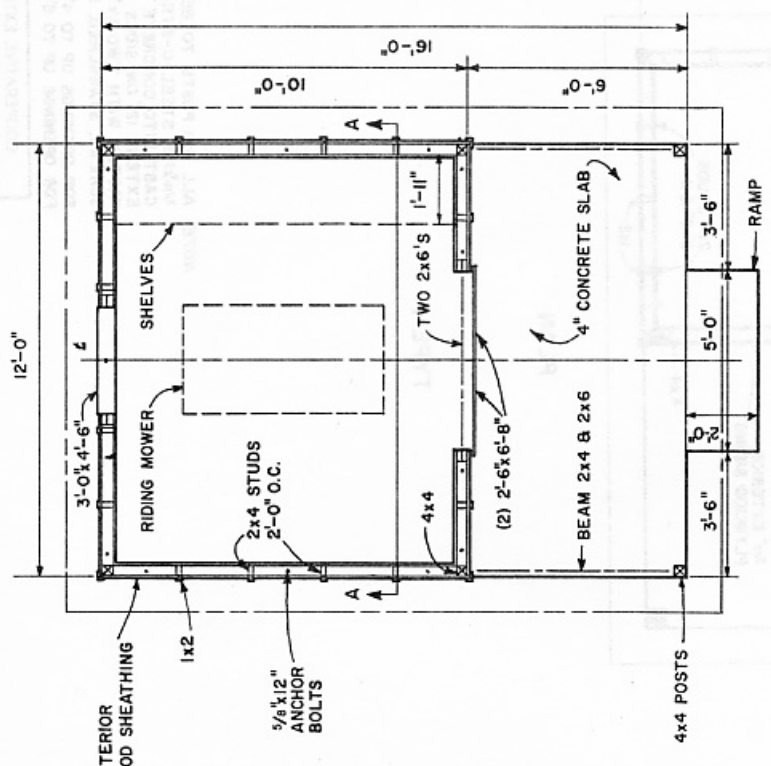
NOTE: ALL 4x4 POSTS TO BE FASTENED WITH 3/8"x1/2" STEEL U-STRAP ANCHORS CAST INTO CONCRETE 12" ENDS TO EXTEND 12" ON SIDES OF POST. FASTEN WITH TWO 3/8"x2 1/2" LAG SCREWS, STAGGERED, EACH SIDE. FOR OPENINGS UP TO 4'-0" USE TWO 2x4'S FOR OPENINGS UP TO 5'-6" USE TWO 2x4'S

COOPERATIVE EXTENSION WORK IN  
 AGRICULTURE AND HOME ECONOMICS  
 STATE OF TENNESSEE  
 UNIVERSITY OF TENNESSEE  
 UNITED STATES DEPARTMENT OF AGRICULTURE COOPERATING

STORAGE SHEDS

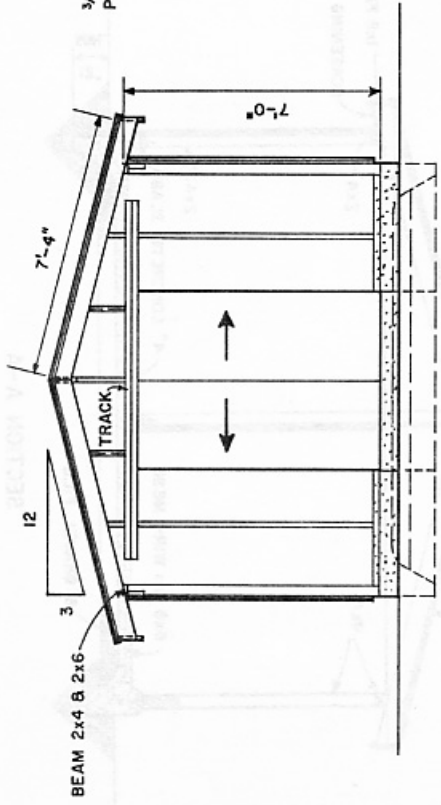
S.C. '69 6086 SHEET 1 OF 3

BASED ON: CLEMSON UNIV. S.C. PLAN 350

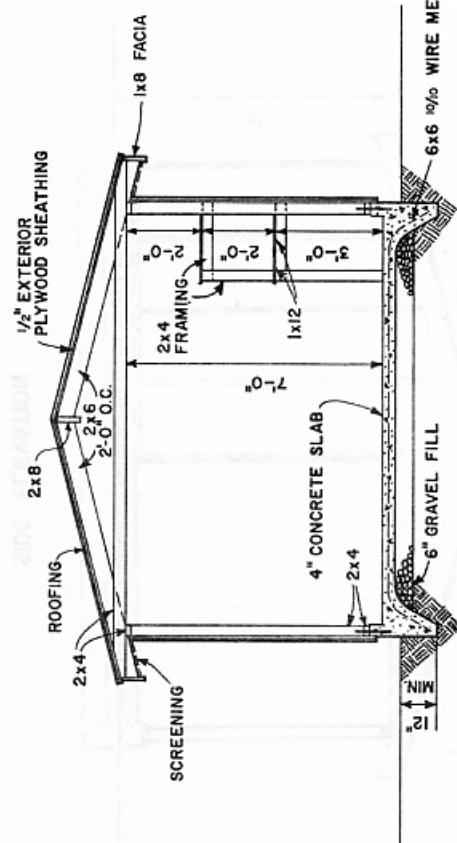


PLAN

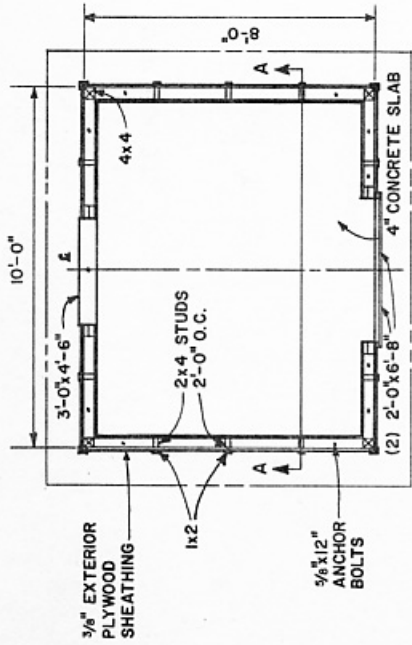
TYPE 2



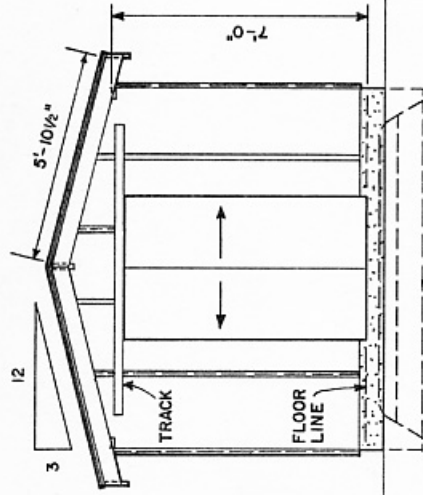
FRONT ELEVATION



SECTION A-A

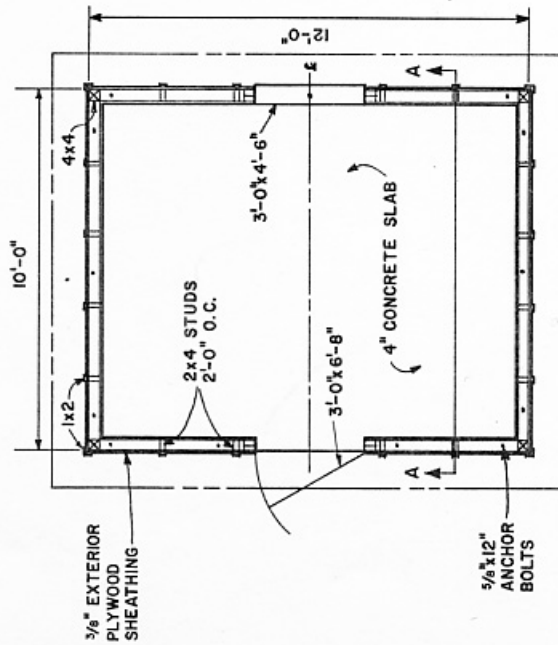


PLAN

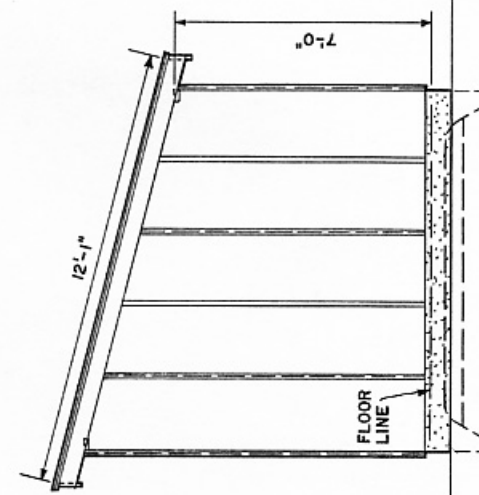


FRONT ELEVATION

TYPE 3

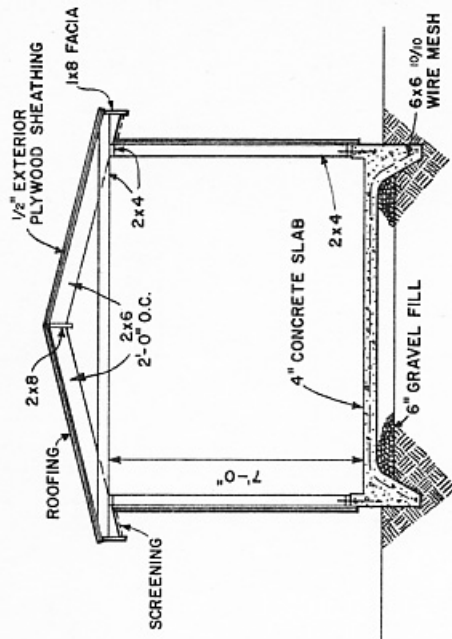


PLAN

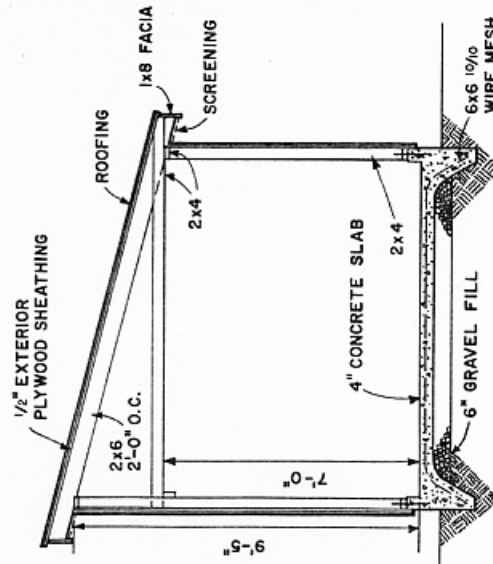


SIDE ELEVATION

TYPE 4



SECTION A-A



SECTION A-A