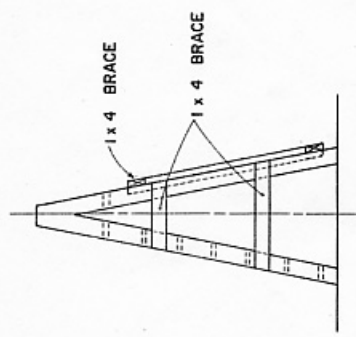
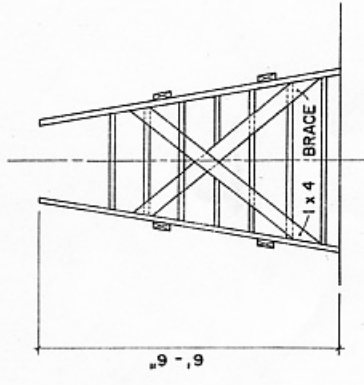


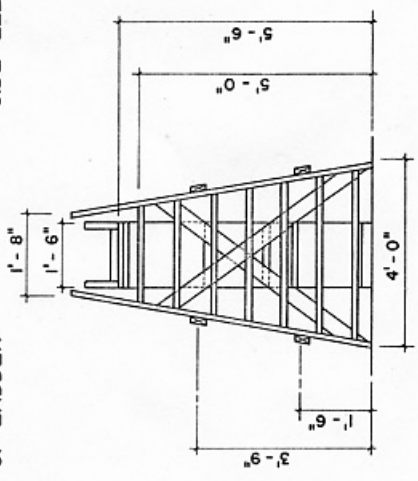
REAR ELEVATION OF LADDER



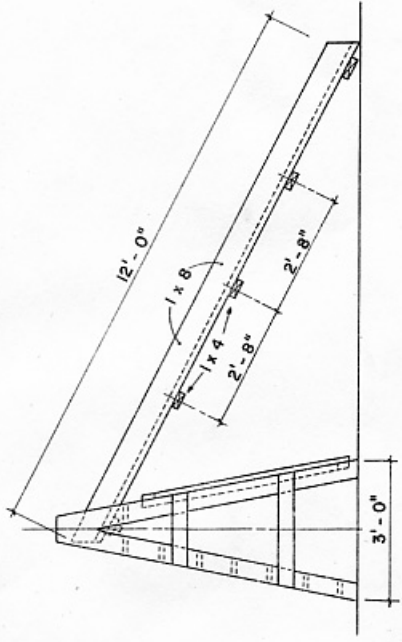
SIDE ELEVATION OF LADDER



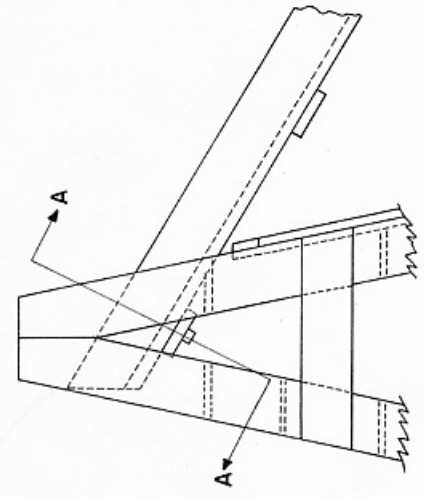
BRACING DETAIL



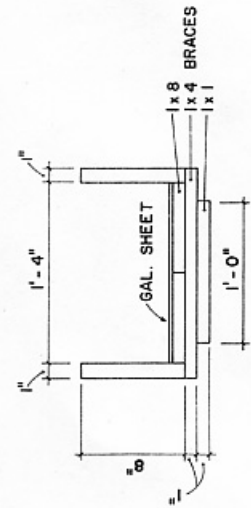
REAR ELEVATION



SIDE ELEVATION



SECTION A - A



SLIDING BOARD

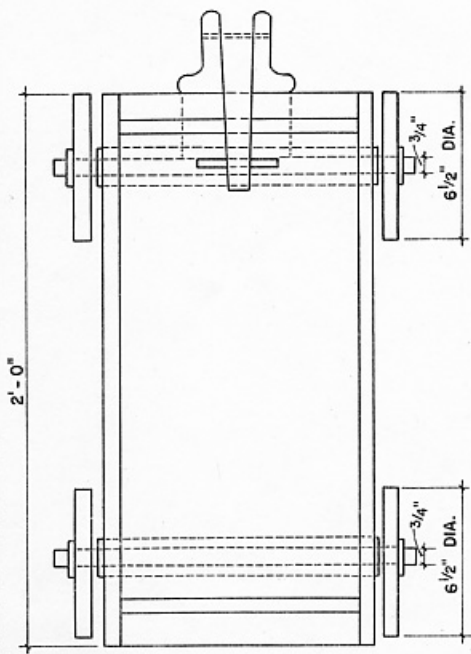


SCALE: UNLESS OTHERWISE NOTE

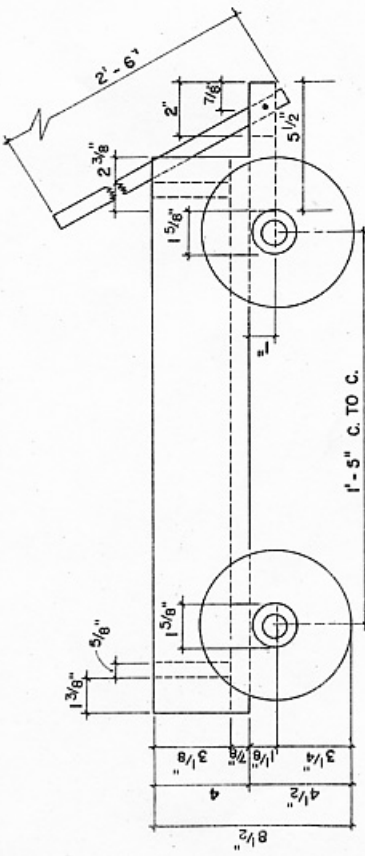
COOPERATIVE EXTENSION WORK IN  
 AGRICULTURE AND HOME ECONOMICS  
 UNIVERSITY OF TENNESSEE  
 AGRICULTURAL ENGINEERING DEPARTMENT  
 AND  
 UNITED STATES DEPARTMENT OF AGRICULTURE COOPERATING

BASED ON: AUBURN UNIV. PLAN NO. E-302

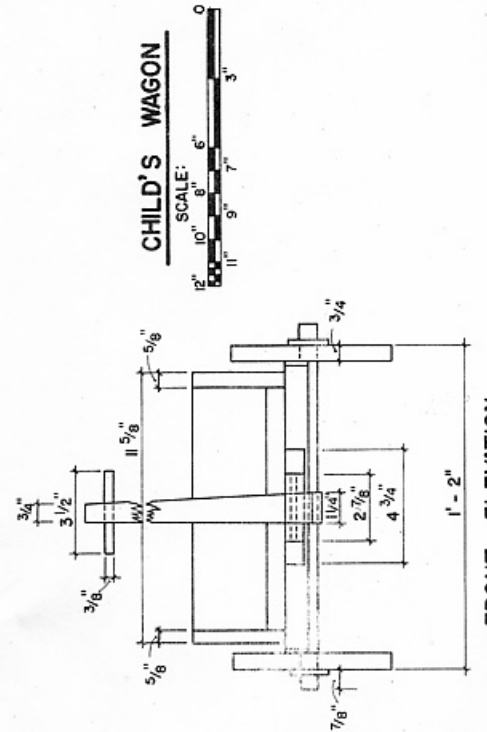
PLAYGROUND EQUIPMENT  
 USDA '79 EX. 6317 SHEET 1 OF 4



PLAN

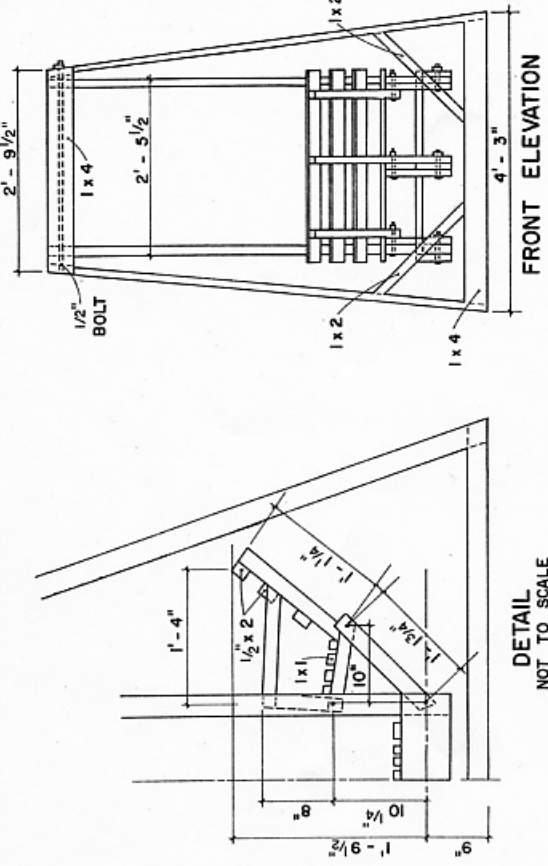
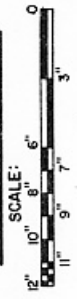


SIDE ELEVATION

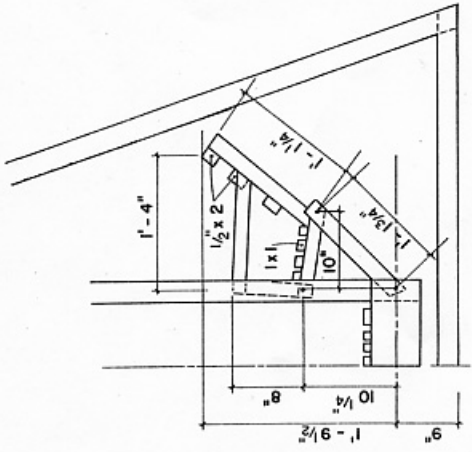


FRONT ELEVATION

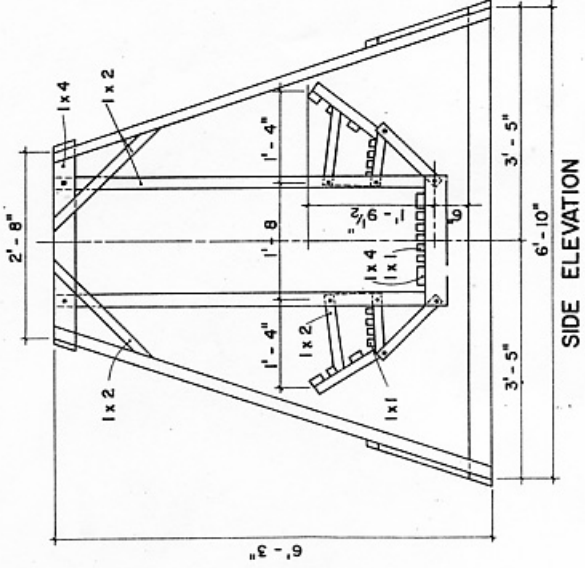
CHILD'S WAGON



FRONT ELEVATION



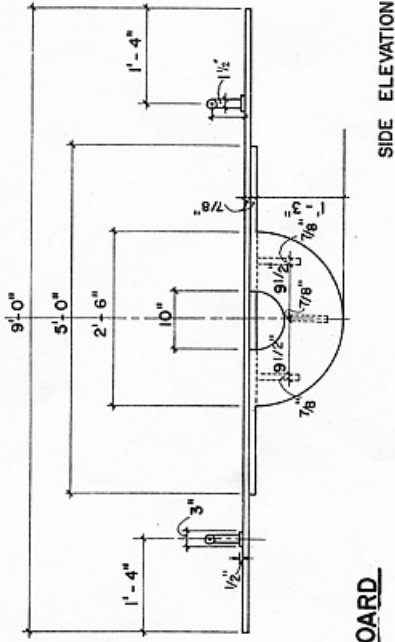
DETAIL  
NOT TO SCALE



SIDE ELEVATION

CHILD'S SWING

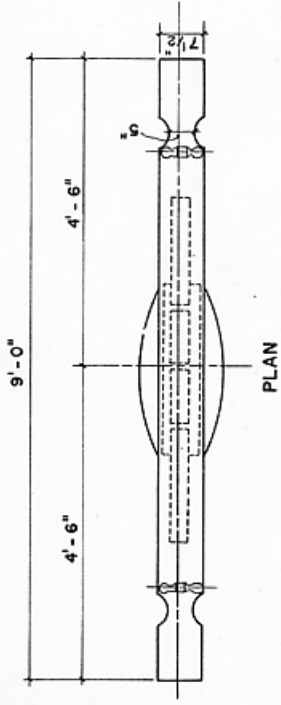




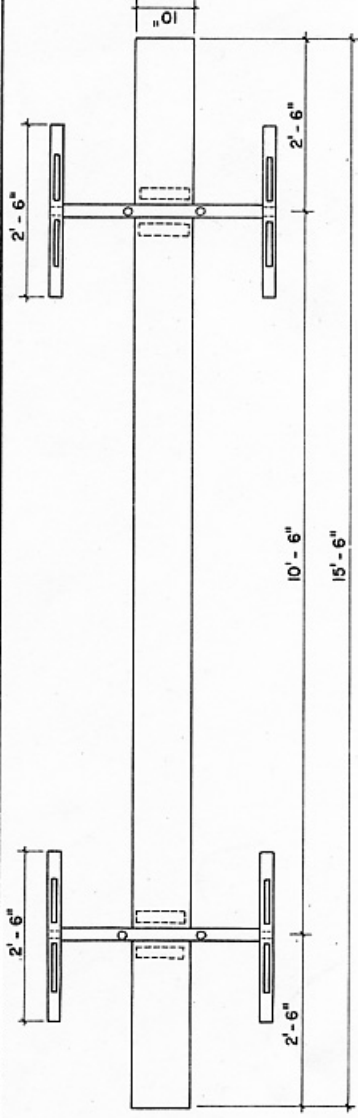
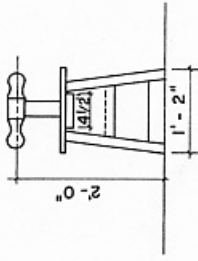
SIDE ELEVATION

TEETER BOARD

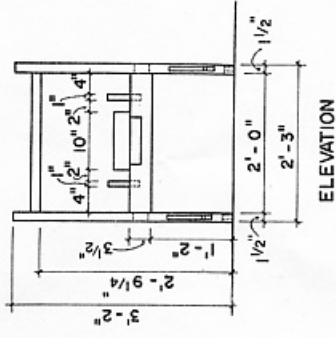
SCALE



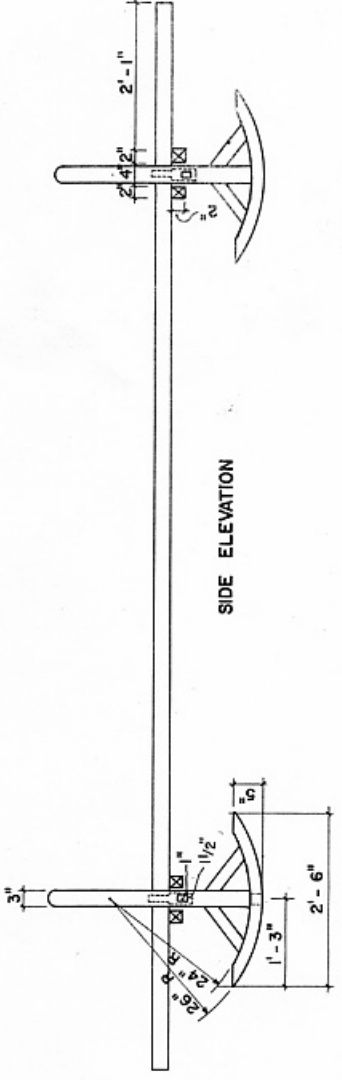
PLAN



PLAN



ELEVATION



SIDE ELEVATION

ROCKING BOARD



SCALE

COOPERATIVE EXTENSION WORK IN  
 AGRICULTURE AND HOME ECONOMICS  
 UNIVERSITY OF TENNESSEE  
 AGRICULTURAL ENGINEERING DEPARTMENT  
 AND  
 UNITED STATES DEPARTMENT OF AGRICULTURE COOPERATING

PLAYGROUND EQUIPMENT

USDA '79 EX. 6317 SHEET 3 OF 4

