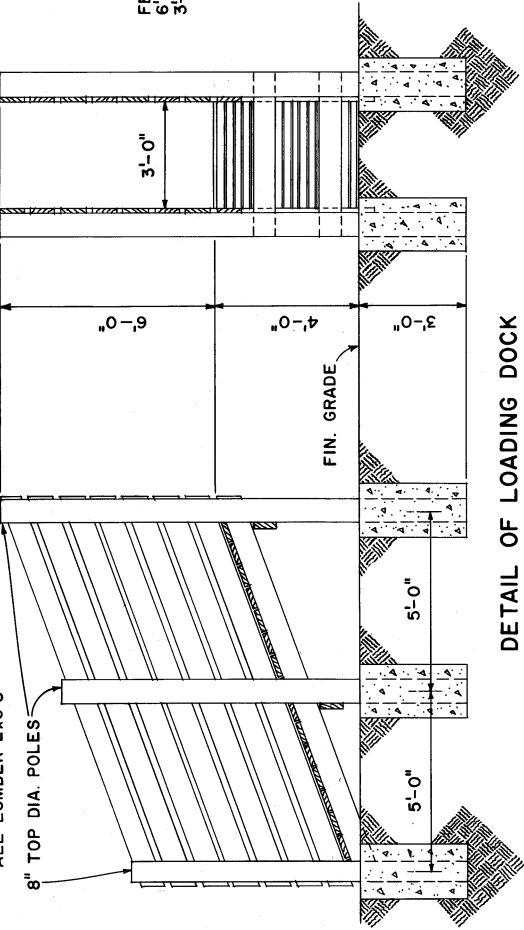


NOTE:
ALL LUMBER 2x8'S



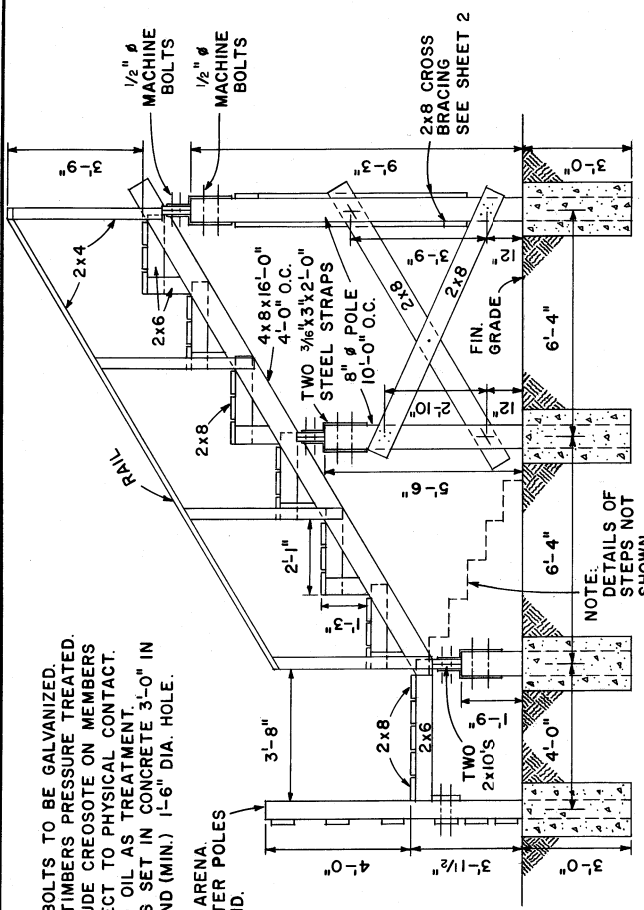
DETAIL OF LOADING DOCK



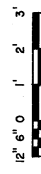
NOTES:

- ALL BOLTS TO BE GALVANIZED.
- ALL TIMBERS PRESSURE TREATED.
- EXCLUDE CREOSOTE ON MEMBERS SUBJECT TO PHYSICAL CONTACT.
- AVOID OIL AS TREATMENT.
- POLES SET IN CONCRETE 3'-0" IN GROUND (MIN.) 1'-6" DIA. HOLE.

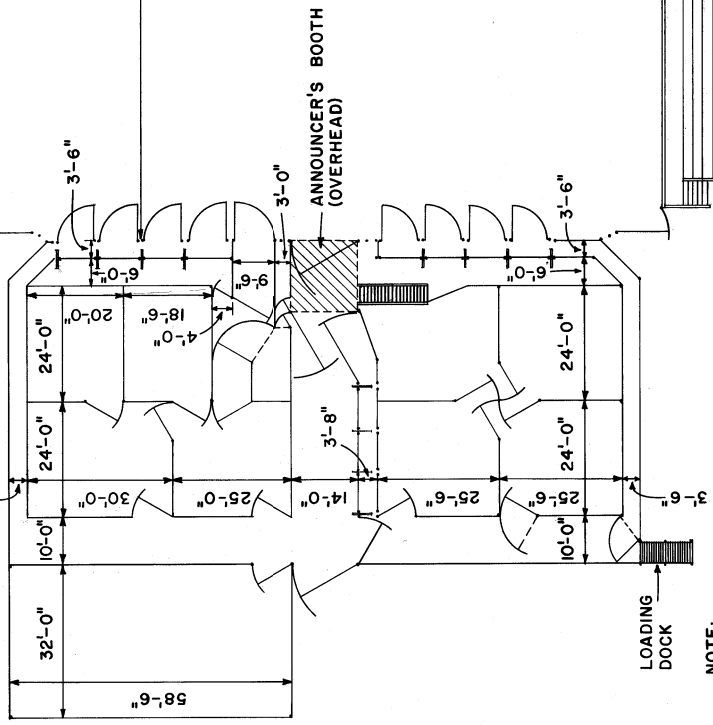
FENCE ALONG ARENA
6" TOP DIAMETER POLES
3'-0" IN GROUND.



GRANDSTAND DETAILS



NOTE:
DETAILS OF STEPS NOT SHOWN.



ARENA

PLAN



NOTE:
CONSULT LOCAL CODES AND BUILDING AUTHORITIES BEFORE STARTING CONSTRUCTION.

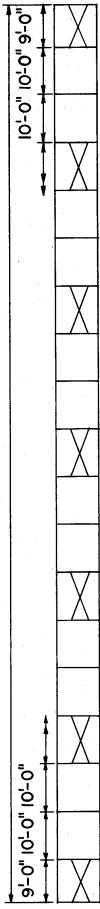
COOPERATIVE EXTENSION WORK IN AGRICULTURE AND HOME ECONOMICS
STATE OF TENNESSEE
UNIVERSITY OF TENNESSEE
UNITED STATES DEPARTMENT OF AGRICULTURE COOPERATING

RODEO ARENA

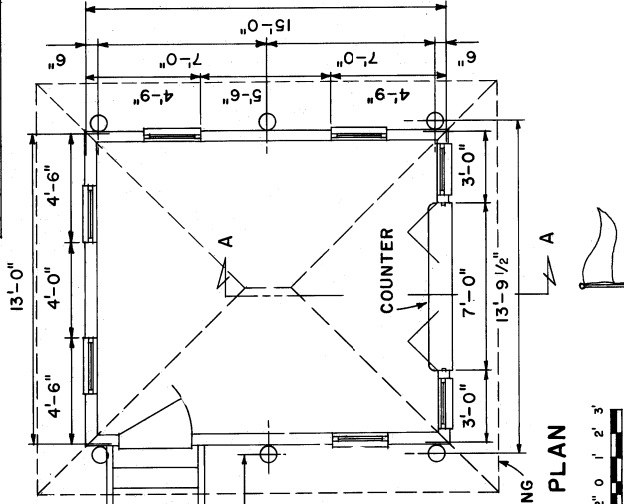
MISS. & TEX. 74 6184 SHEET 1 OF 3

ADOPTED FROM TEXAS A&M PLAN NO. 500 & MISS. PLAN NO. 6015 A

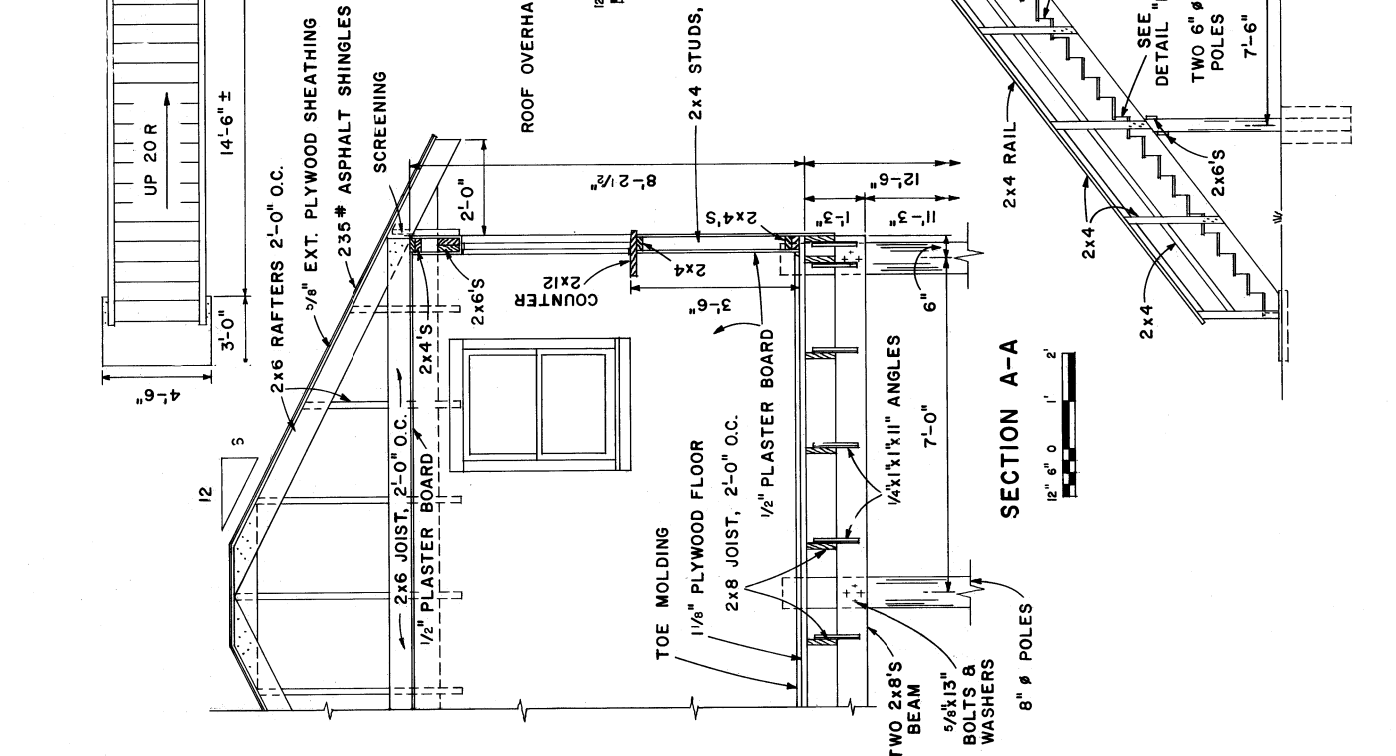
186'-0"



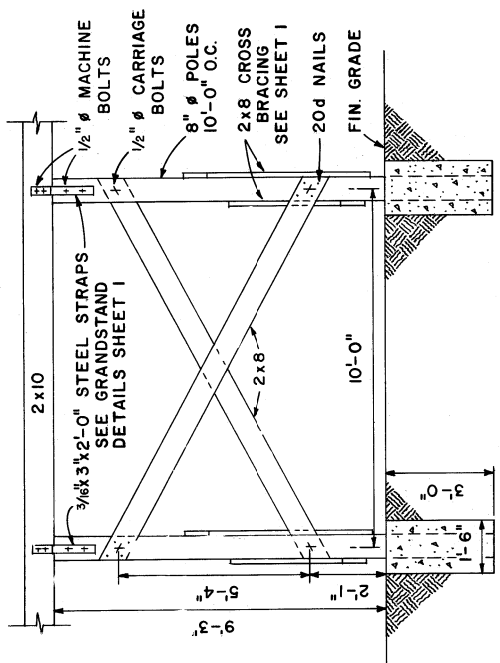
SCHEMATIC OF BRACING REAR OF GRANDSTAND



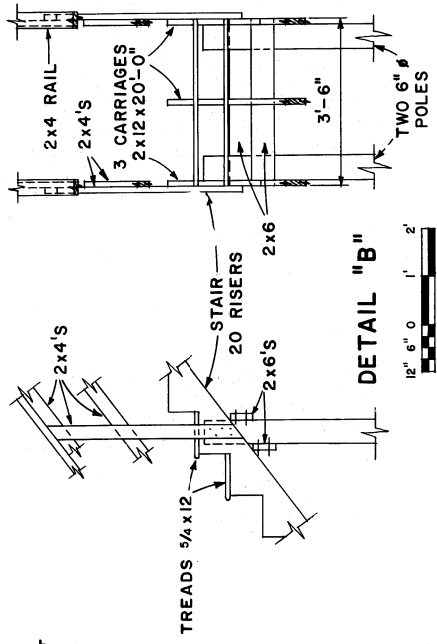
PLAN



SECTION A-A



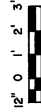
DETAIL OF BRACING



DETAIL "B"



ELEVATION

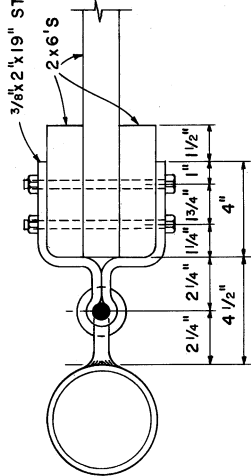


COOPERATIVE EXTENSION WORK IN
 AGRICULTURE AND HOME ECONOMICS
 STATE OF TENNESSEE
 UNIVERSITY OF TENNESSEE
 UNITED STATES DEPARTMENT OF AGRICULTURE COOPERATING

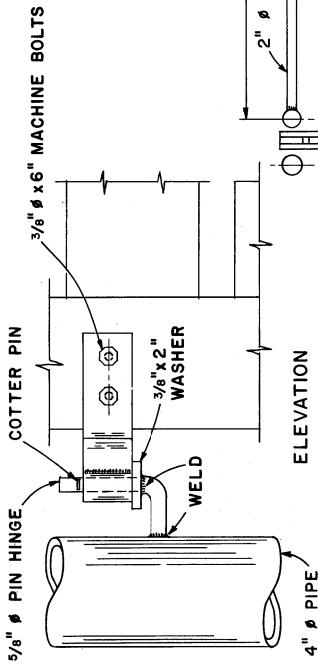
RODEO ARENA

MISS. & TEX. 74 6184 SHEET 2 OF 3

3/8"x2"x19" STEEL STRAP HINGE

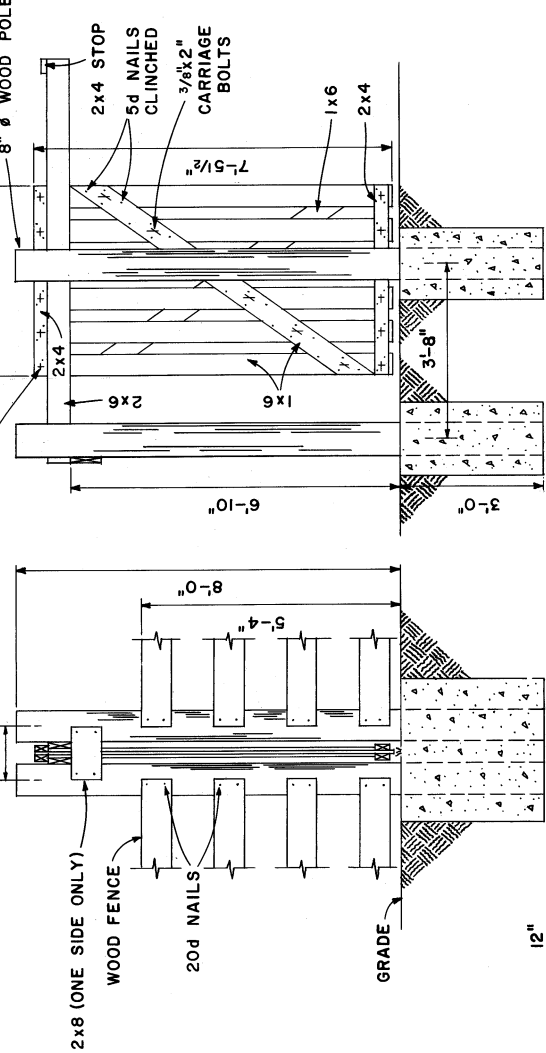
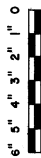


PLAN



ELEVATION

DETAIL "A"



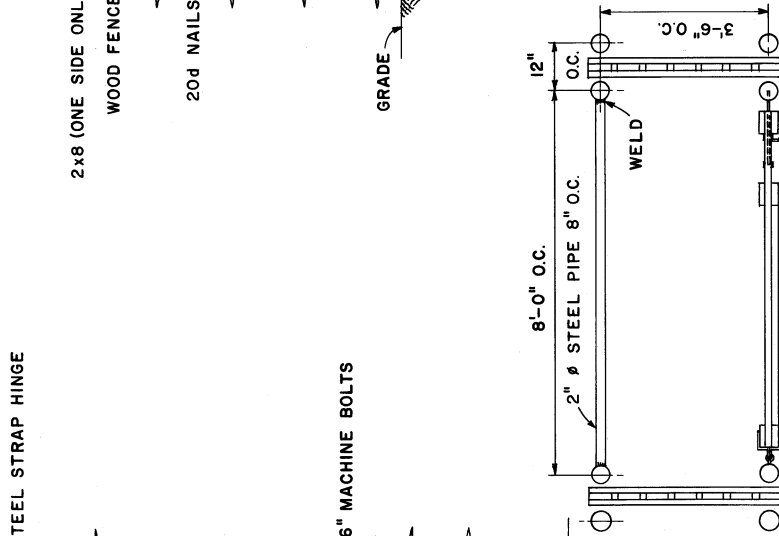
ELEVATION

SECTION

DETAILS OF CENTER CHUTE GATES



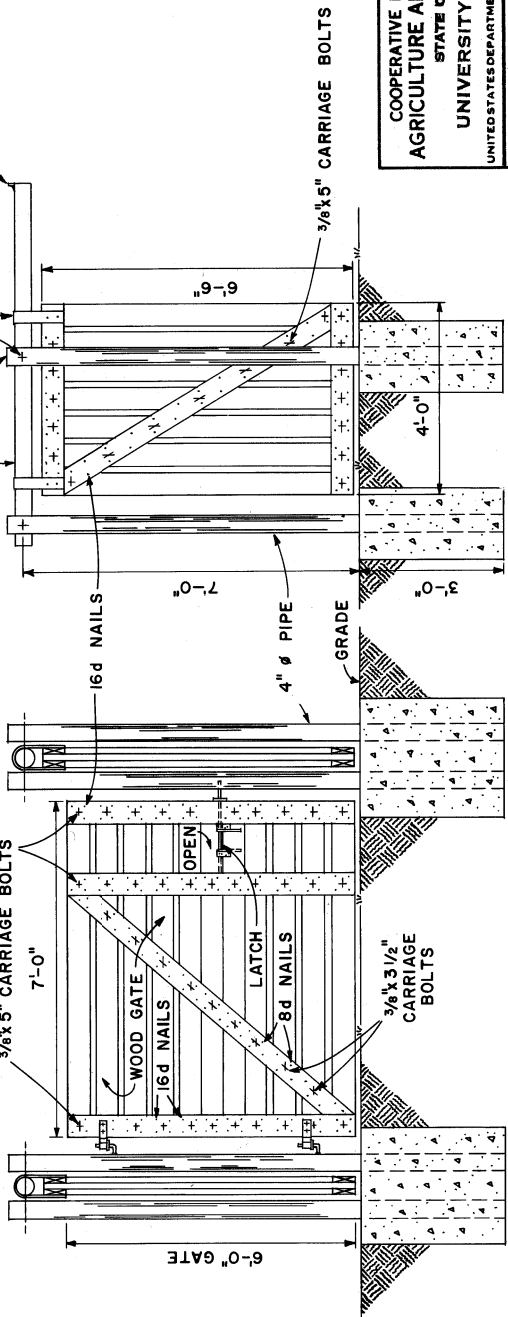
NOTE:
GATE SLIDES HORIZONTALLY
ON TOP OF 2x6'S.



NOTE:
ALL LUMBER 2x6'S

PLAN

HINGE (SEE DETAIL A)



ELEVATION

SECTION

DETAILS OF TYPICAL BRONC CHUTE

