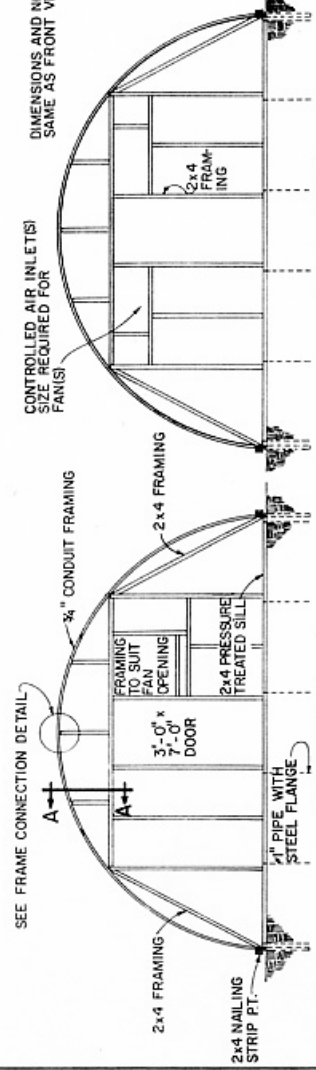
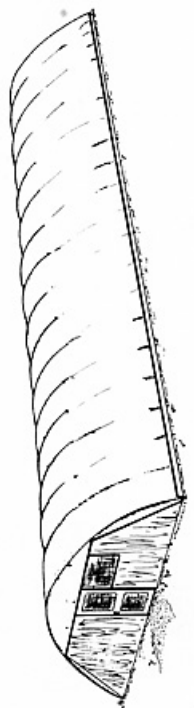


SIDE VIEW
SCALE: 1/8" = 1'-0"

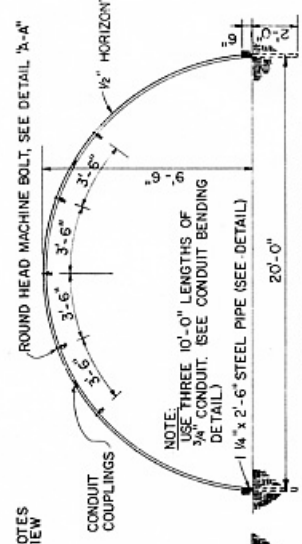


FRONT VIEW

REAR VIEW

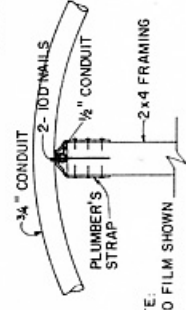


PERSPECTIVE
NOT TO SCALE



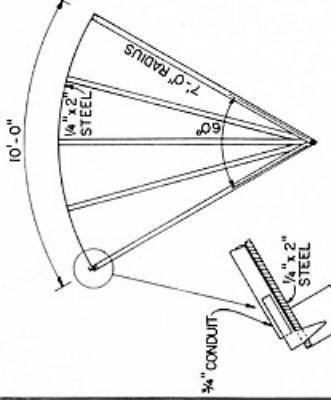
TYPICAL CONDUIT FRAME

SCALE: 1/8" = 1'-0"



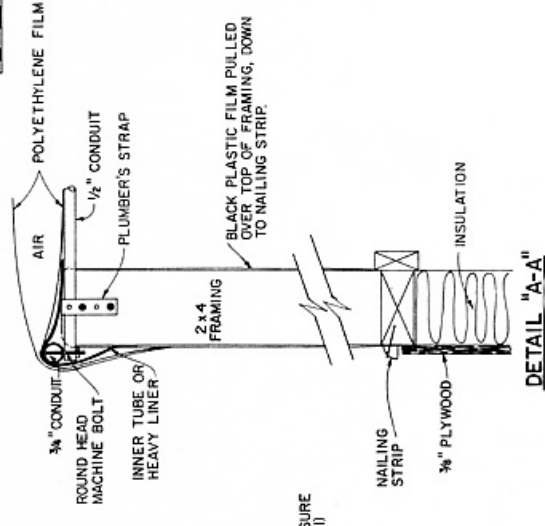
FRAME CONNECTION DETAIL

SCALE: 3/8" = 1'-0"

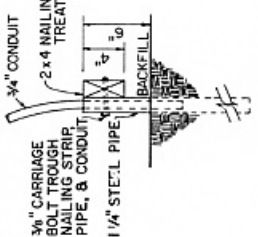


CONDUIT BENDING FRAME

NOT TO SCALE



DETAIL "A-A"



PIPE DETAIL

SCALE: 1/8" = 1'-0"

- NOTES:
- 1) DO NOT USE CREOSOTE OR "PENTA" TREATED WOOD.
 - 2) CONSULT LOCAL HEALTH AND BUILDING CODE AUTHORITIES BEFORE STARTING CONSTRUCTION.
 - 3) ROLL JOGS OR OTHER ARRANGEMENTS FOR BENDING CONDUIT CAN BE USED.