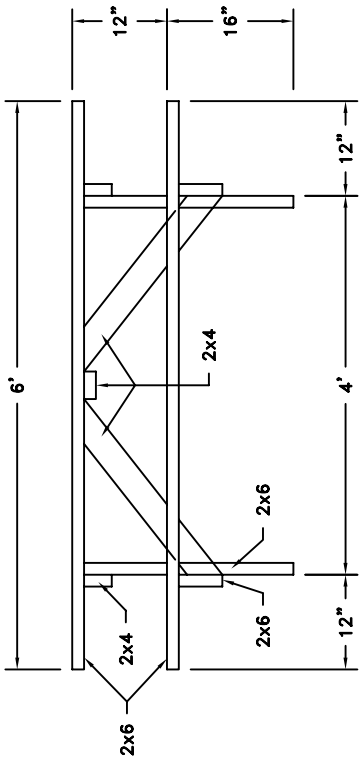
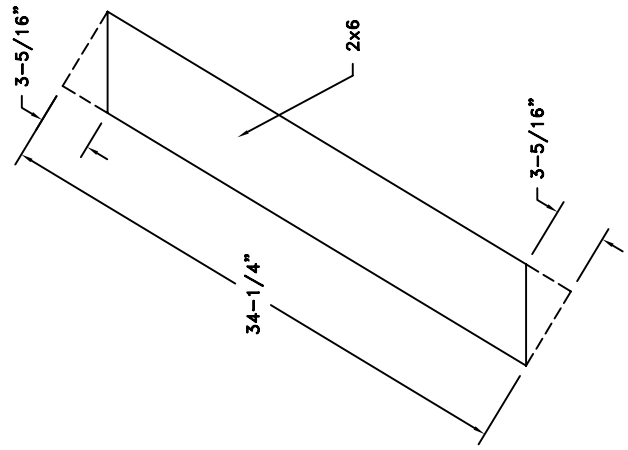


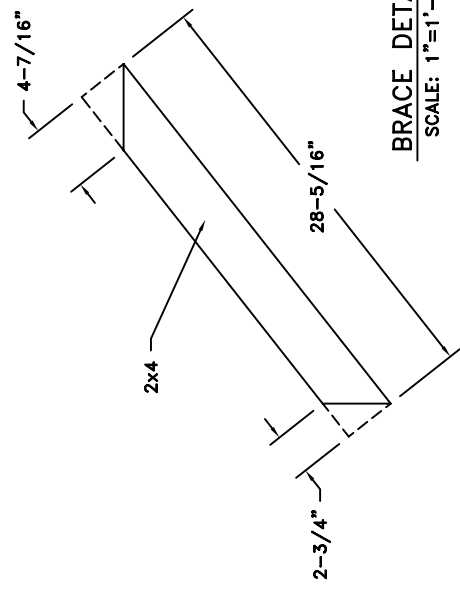
END VIEW
SCALE: 1/2"=1'-0"



SIDE VIEW
SCALE: 1/2"=1'-0"



LEG DETAIL
SCALE: 1"=1'-0"



BRACE DETAIL
SCALE: 1"=1'-0"

NOTE:
ALL LUMBER TO BE DRESSED
AND PRESSURE TREATED.

COOPERATIVE EXTENSION WORK IN
AGRICULTURE AND HOME ECONOMICS
STATE OF TENNESSEE
THE UNIVERSITY OF TENNESSEE
AGRICULTURAL AND MECHANICAL COLLEGE
AND
UNITED STATES DEPARTMENT OF AGRICULTURE COOPERATING

PICNIC
TABLE

TENN	30-MAY-94	SHEET 1 OF 1
GFG	PLAN NO.	T4147