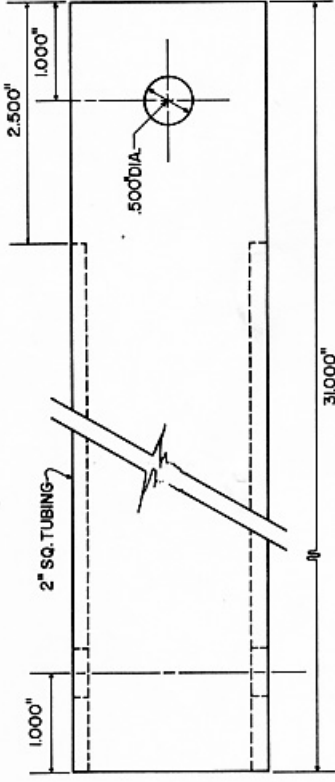
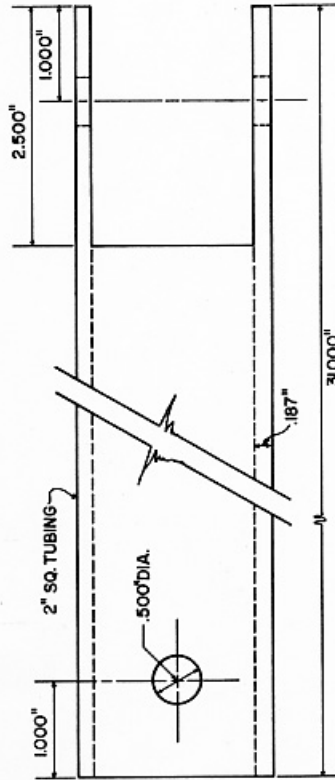


BASED ON UNIV. OF FLA. PLAN NO. 1081
 COOPERATIVE EXTENSION WORK IN
 AGRICULTURE AND HOME ECONOMICS
 STATE OF TENNESSEE
 UNIVERSITY OF TENNESSEE
 AGRICULTURAL ENGINEERING DEPARTMENT
 AND
 UNITED STATES DEPARTMENT OF AGRICULTURE COOPERATING

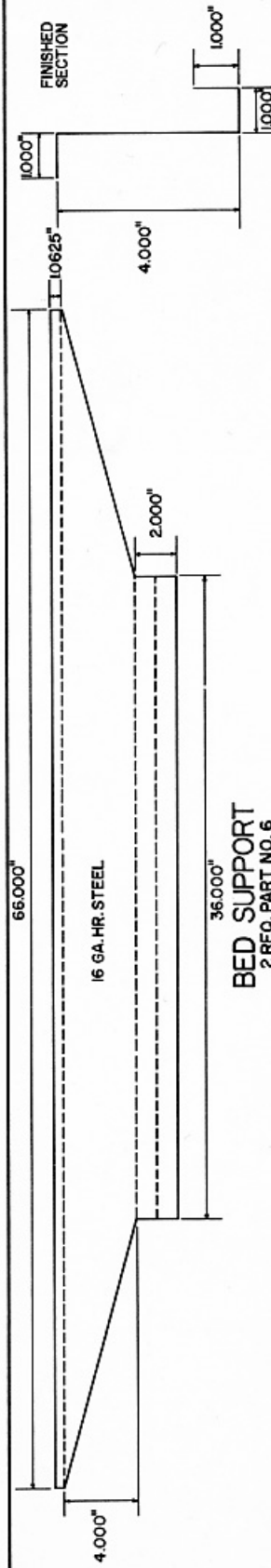
NURSERY WAGON
 FOUR WHEEL STEER

FLA. '78 6293 SHEET 1 OF 5

HANDLE
1 REQ. PART NO. 25
NOT TO SCALE



1) CUT OUT TWO PIECES FROM 16 GA. HR. STEEL.
2) BEND ON BROKEN LINES TO SECTION SHOWN.

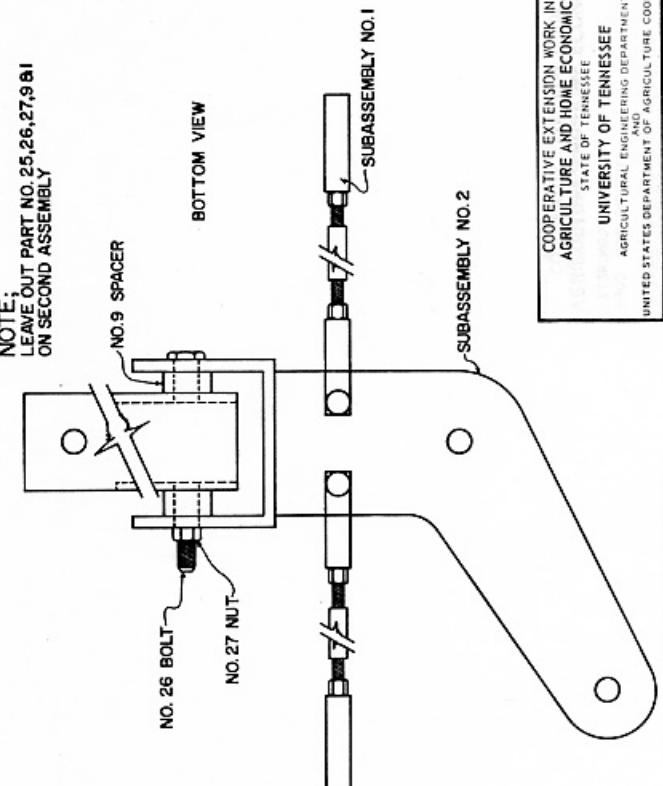


BED SUPPORT
2 REQ. PART NO. 6

PARTS LIST

PART NUMBER	DESCRIPTION	NUMBER REQUIRED	P-PURCHASE M-MAKE
*1	TONGUE MOUNTING "U" PLATE	1	M
*2	WHEEL SHAFT	4	M
*3	DOG LEG PLATE	2	M
*4	STEERING ARM LEVER	4	M
*5	BED SUPPORT STIFFENER	2	M
*6	BED SUPPORT	2	M
*7	STEERING ROD	1	M
*8	TIE ROD	4	M
*9	SPACER	4	M
*10	SMALL BUSHING	4	M
*11	SLEEVE	4	M
*12	AXLE	2	M
*13	PIVOT ROD	4	M
*14	AXLE REINFORCER	4	M
*15	LARGE BUSHING	4	M
*16	TIE ROD END (INT. HARVESTER NO. 529 430-RI OR EQUAL)	10	P
*17	1/2" x 1/2" N.F. 20 NUT	10	P
*18	1/2" x 1/2" N.F. 20 BOLT WITH HEAD REMOVED	10	P 8M
*19	1/2" T.I.N.C. CASTLE NUT	4	P
*20	4.00 x 8 WHEEL AND TIRE WITH SELF LUBRICATING BEARINGS; 3/8" BORE ON OUTSIDE BEARING, 1" BORE ON INSIDE	4	P 8M
*21	WASHER	4	M
*22	3/8" x 1" I.G.N.C. CAP SCREW	4	P
*23	1/2" I.I.N.C. CASTLE NUT	2	P
*24	WASHER-3/8" INSIDE BORE, 1" O.D., 1/8" THICK	4	P
*25	HANDLE	1	M
*26	1/2" x 4" N.F. 20 BOLT	1	P
*27	1/2" N.F. 20 NUT	1	P
*28	WASHER	4	M

NOTE:
LEAVE OUT PART NO. 25, 26, 27, 9 & 1
ON SECOND ASSEMBLY

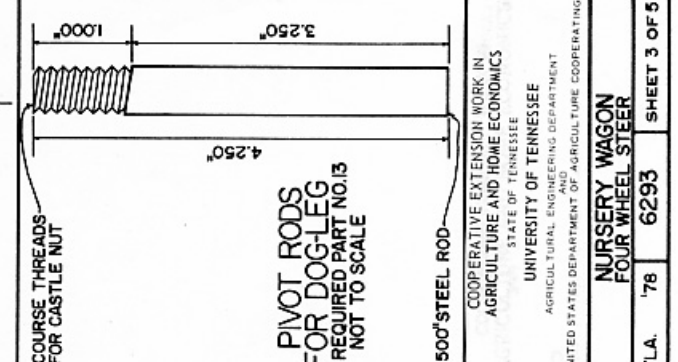
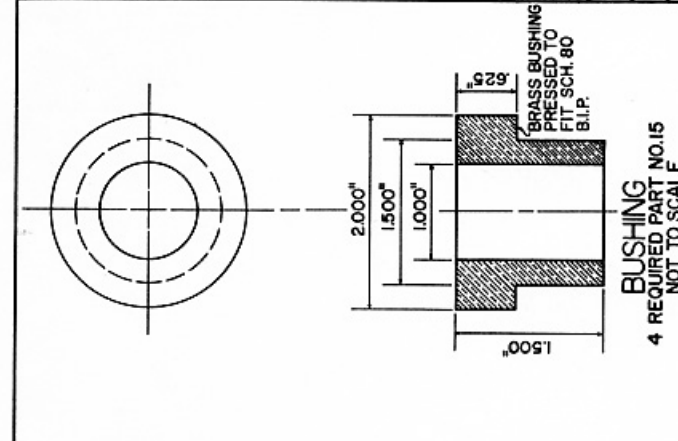
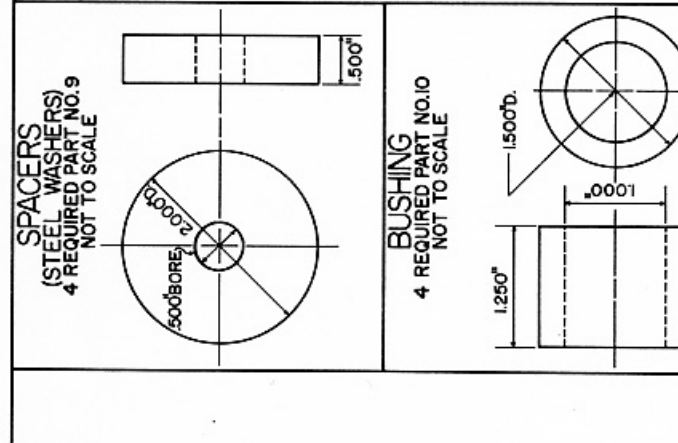
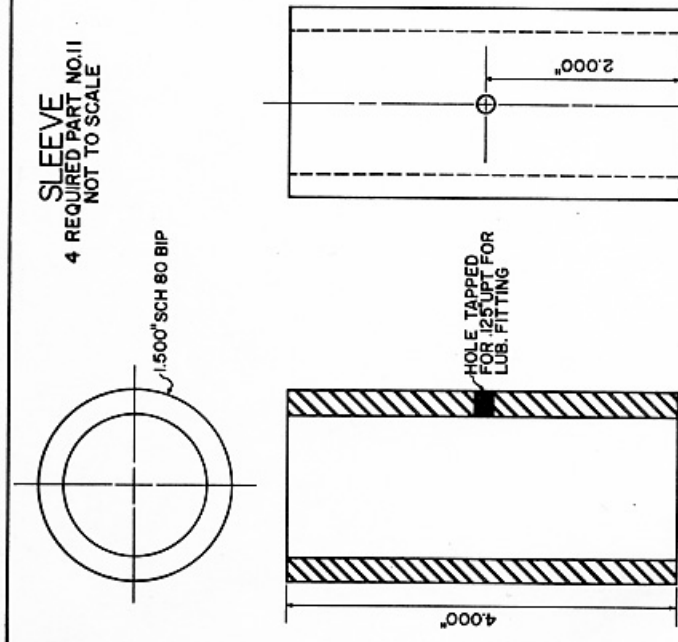
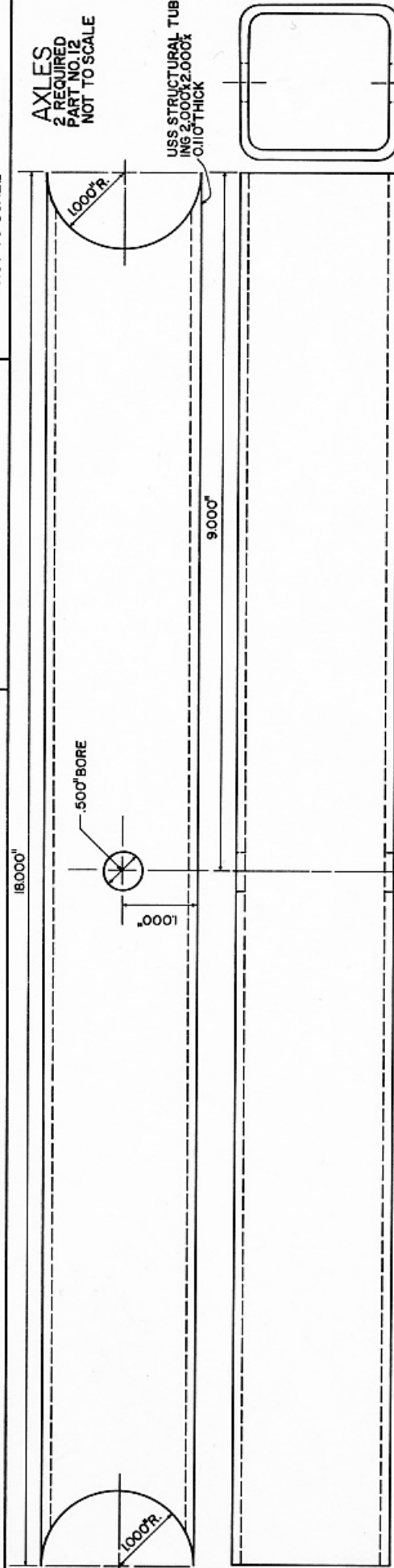
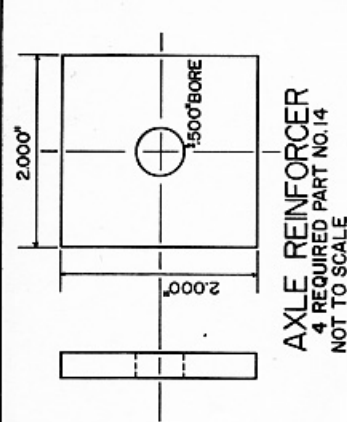
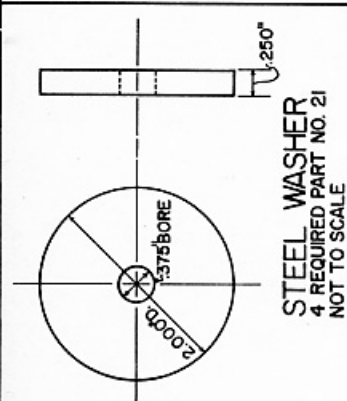
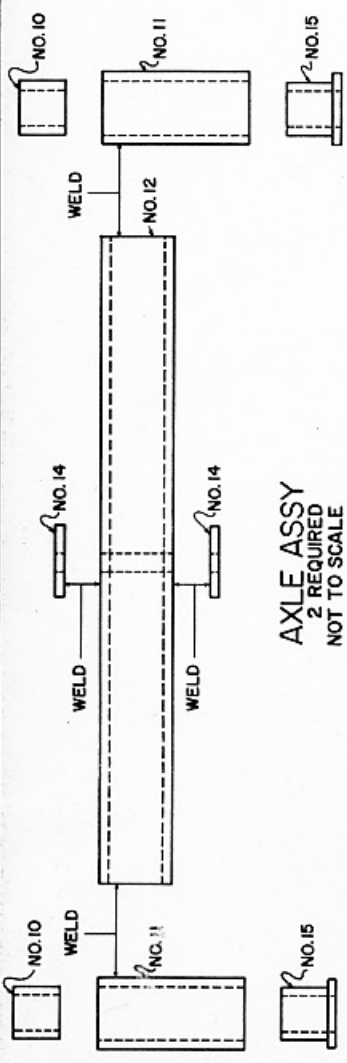


HANDLE ASSEMBLY
2 REQUIRED

COOPERATIVE EXTENSION WORK IN
AGRICULTURE AND HOME ECONOMICS
STATE OF TENNESSEE
UNIVERSITY OF TENNESSEE
AGRICULTURAL ENGINEERING DEPARTMENT
AND
UNITED STATES DEPARTMENT OF AGRICULTURE COOPERATING

NURSERY WAGON
FOUR WHEEL STEER

FLA. '78 6293 SHEET 2 OF 5



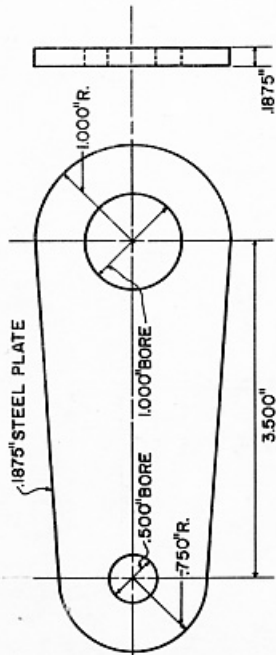
500" STEEL ROD

COOPERATIVE EXTENSION WORK IN AGRICULTURE AND HOME ECONOMICS
STATE OF TENNESSEE
UNIVERSITY OF TENNESSEE
AGRICULTURAL ENGINEERING DEPARTMENT
UNITED STATES DEPARTMENT OF AGRICULTURE COOPERATING

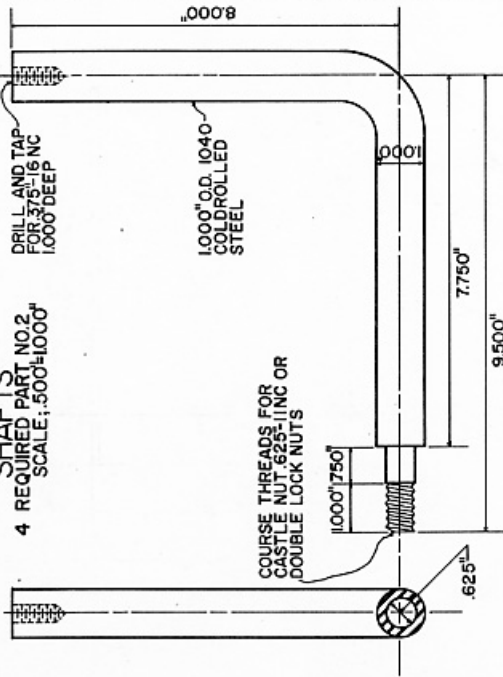
FLA. '78 6293 SHEET 3 OF 5

NURSERY WAGON
FOUR WHEEL STEER

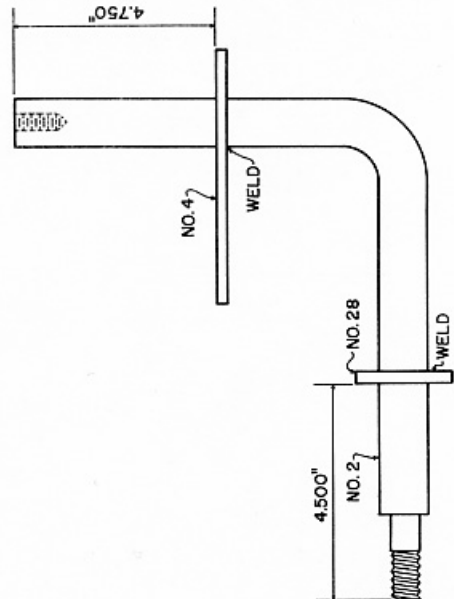
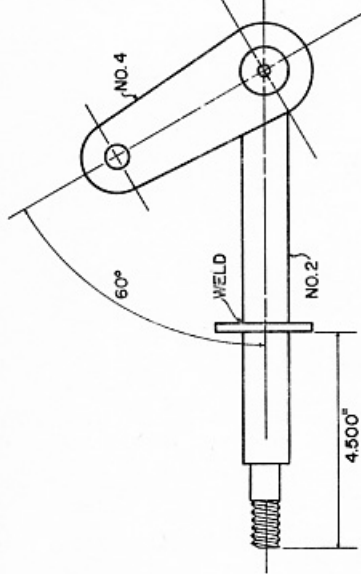
STEERING ARM LEVER
4 REQUIRED PART NO. 4
NOT TO SCALE



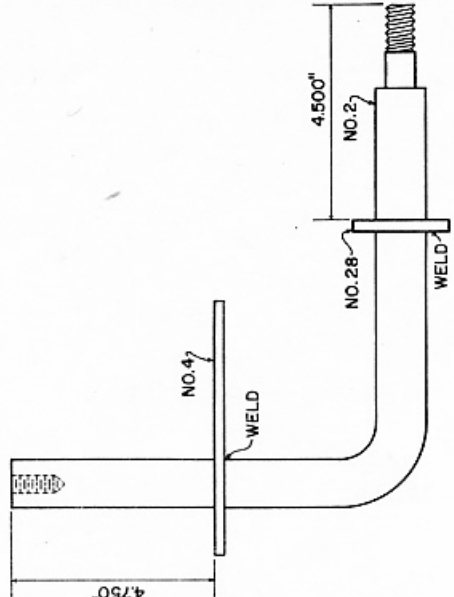
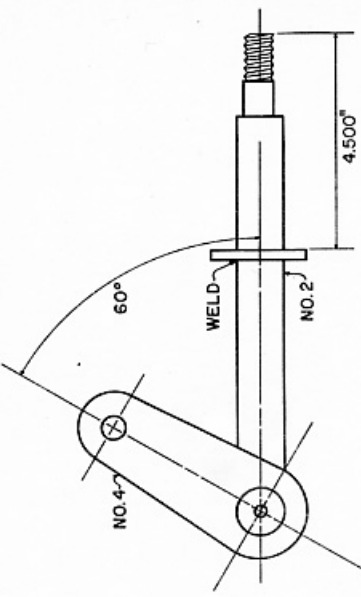
SHAFTS
4 REQUIRED PART NO. 2
SCALE: 1/500 = 1/1000"



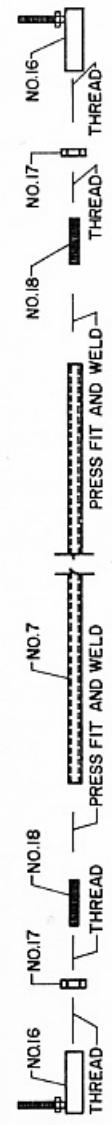
**LEFT FRONT & RIGHT REAR
WHEEL SHAFT ASSY.**
2 REQUIRED
SCALE: 1/500 = 1/1000 INCH



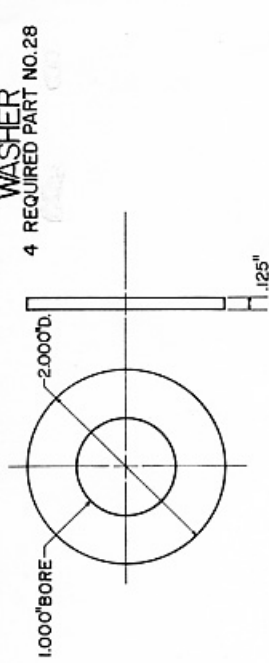
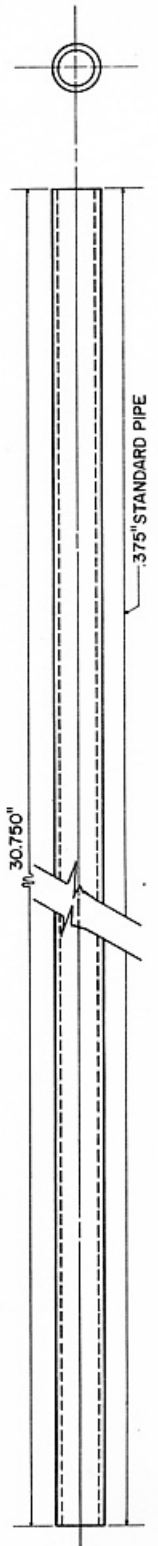
**RIGHT FRONT & LEFT REAR
WHEEL SHAFT ASSY.**
2 REQUIRED
SCALE: 1/500 = 1/1000 INCH



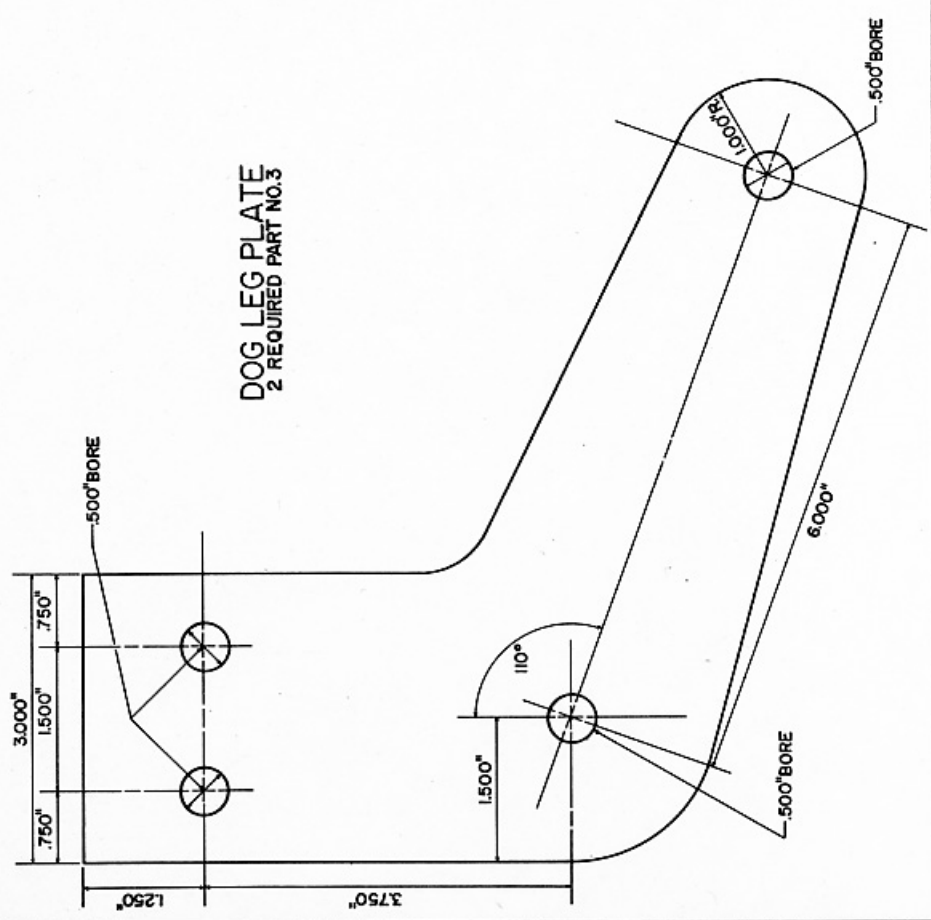
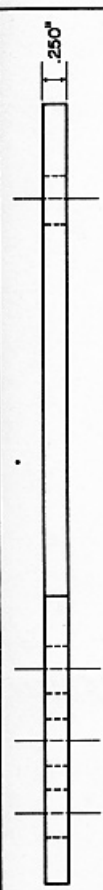
STEERING ROD ASSEMBLY
1 REQUIRED



STEERING ROD
1 REQUIRED PART NO. 7

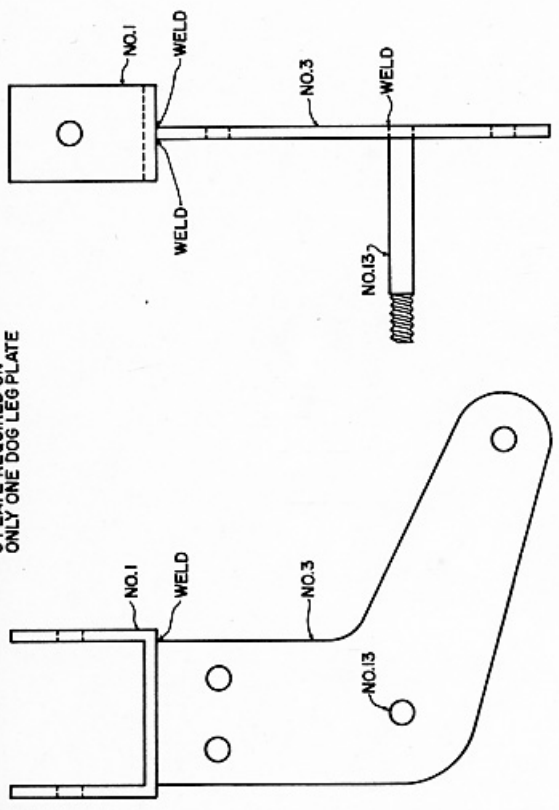


WASHER
4 REQUIRED PART NO. 28



DOG LEG PLATE
2 REQUIRED PART NO.3

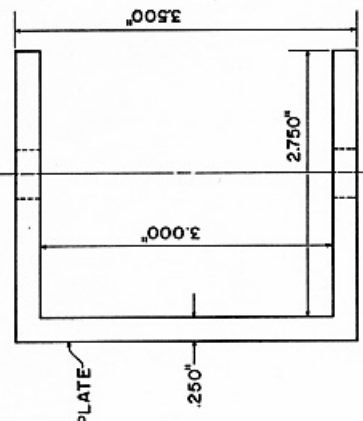
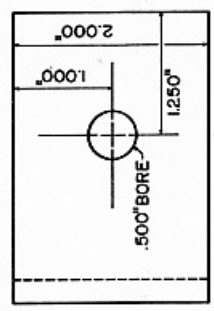
NOTE:
U PLATE REQUIRED ON
ONLY ONE DOG LEG PLATE



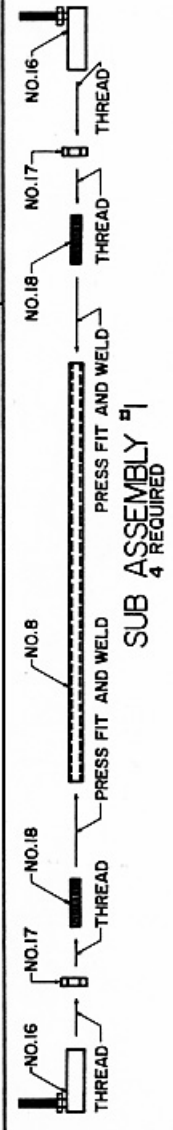
SUB ASSEMBLY #2
2 REQUIRED



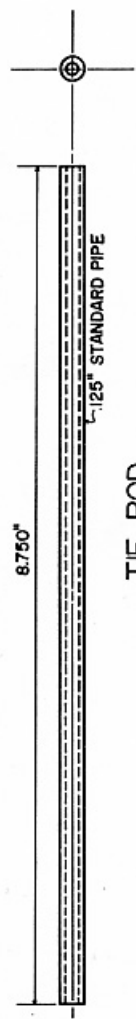
TONGUE MOUNTING U PLATE
1 REQUIRED PART NO.1



.250" STEEL PLATE



SUB ASSEMBLY #1
4 REQUIRED



TIE ROD
4 REQUIRED PART NO.8