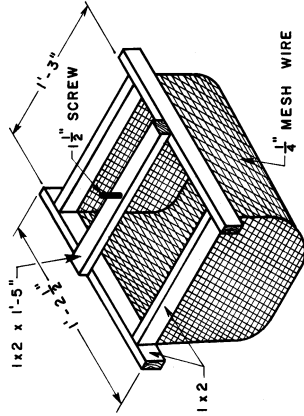
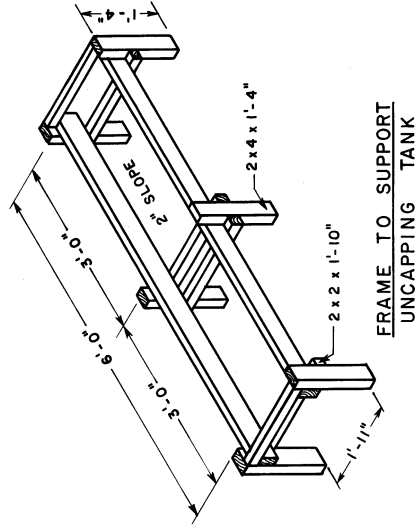


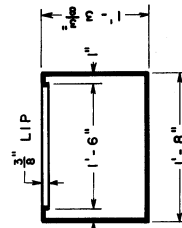
HONEY UNCAPPING TANK



BASKET TO COLLECT WAX CAPPINGS



FRAME TO SUPPORT UNCAPPING TANK



SECTION THRU CONSTRUCTED TANK

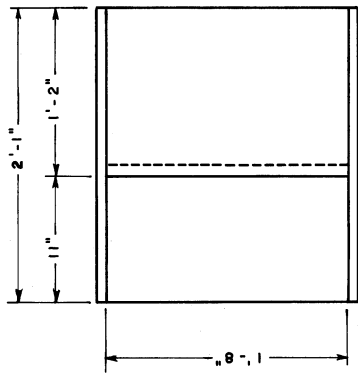
NOTE:
THE UNCAPPING TANK IS USED TO OPEN THE COMBS BEFORE HONEY EXTRACTING. TWO BASKETS MAY BE USED LEAVING APPROXIMATELY 42" TO HANG UNCAPPED COMBS.

MATERIALS:

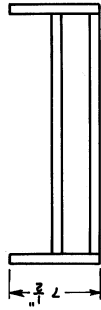
- FRAME 2 x 2 x 6'-0" PINE
- 2 x 4 x 26'-0" PINE
- 1 LB. 10d NAILS
- BASKET 1 x 2 x 8'-0" PINE
- 16 1/2" x 5'-0" x 1/4" MESH HDW. CLOTH
- TANK 4'-2 3/4" 8'-6 3/4" 26 GA. GALVANIZED

HONEYCOMB UNCAPPING TANK

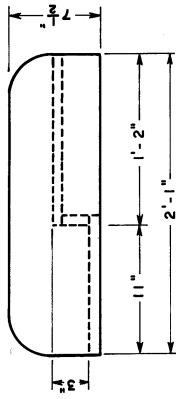
SCALE: NONE



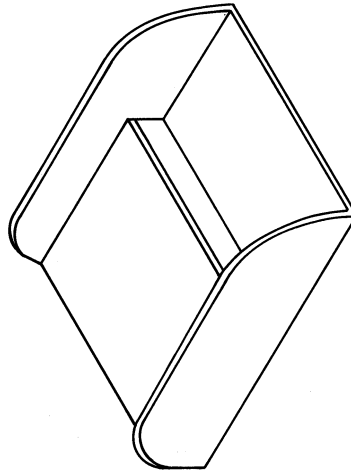
TOP VIEW



END VIEW



SIDE VIEW



ISOMETRIC VIEW

NOTE:
FINISHED UNIT SHOULD BE PAINTED WITH PAINT APPROVED FOR USE IN CONTACT WITH FOOD.

SUPER DUMPING BOARD

SCALE: NONE