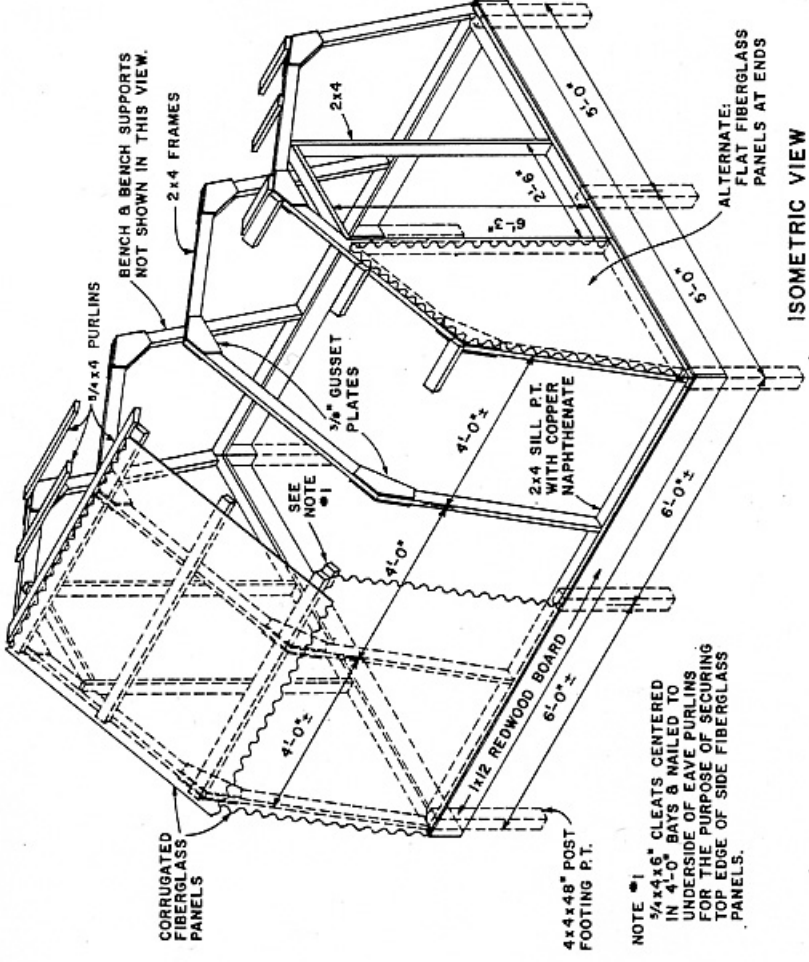
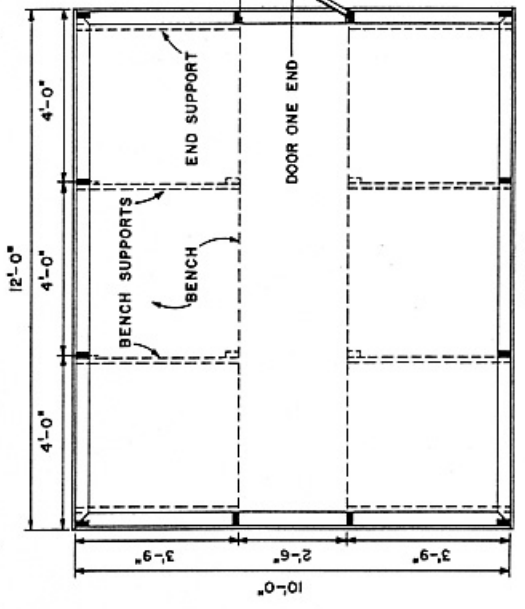


CROSS SECTION
SCALE: 1/2" = 1'-0"

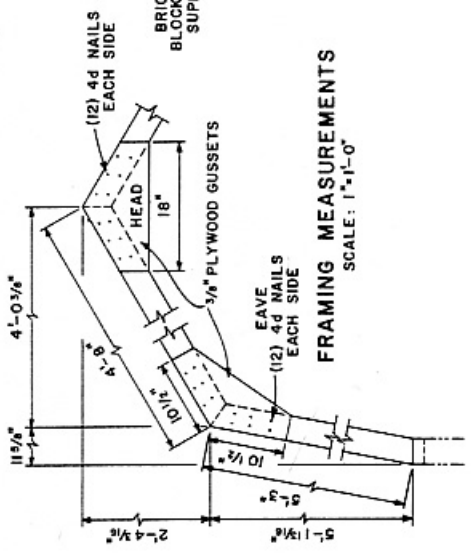


ISOMETRIC VIEW

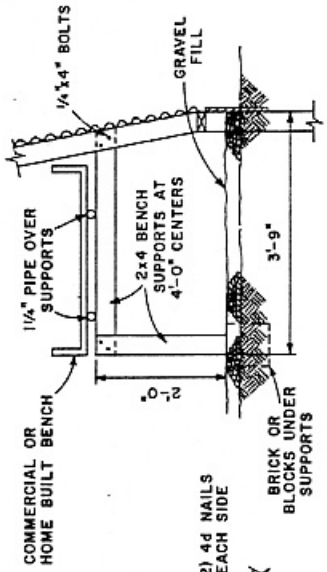
NOTE #1
5/8x4x6" CLEATS CENTERED IN 4'-0" BAYS & NAILED TO UNDERSIDE OF EAVE PURLINS FOR THE PURPOSE OF SECURING TOP EDGE OF SIDE FIBERGLASS PANELS.



PLAN
SCALE: 1/2" = 1'-0"



FRAMING MEASUREMENTS
SCALE: 1" = 1'-0"



DETAIL "A"
SCALE: 3/4" = 1'-0"

REVISED APRIL 1973

COOPERATIVE EXTENSION WORK IN
AGRICULTURE AND HOME ECONOMICS
STATE OF TENNESSEE
UNIVERSITY OF TENNESSEE
AND
UNITED STATES DEPARTMENT OF AGRICULTURE COOPERATING

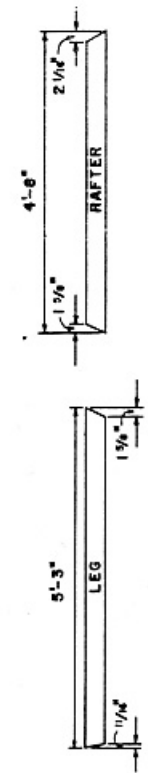
HOME GREENHOUSE

N.J. '74 6181 SHEET 1 OF 2
AGRICULTURAL ENGINEERING DEPARTMENT

BASED ON: UNIV OF ILL CIR 880
& RUTGERS PLAN NO. 158

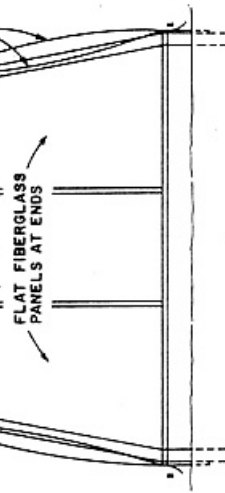
BLOWER AT END WALL FOR INLETION OF PLASTIC LAYERS. SEE SECT. A-A

DOUBLE LAYER 6 MILL PLASTIC COVERING, AIR INJECTED IN CURVE OF FIBERGLASS PANELS (A 24" HOUL OF PLASTIC WILL COVER HOUSE 4 TIMES, ONCE EACH YEAR FOR 4 YEARS.)



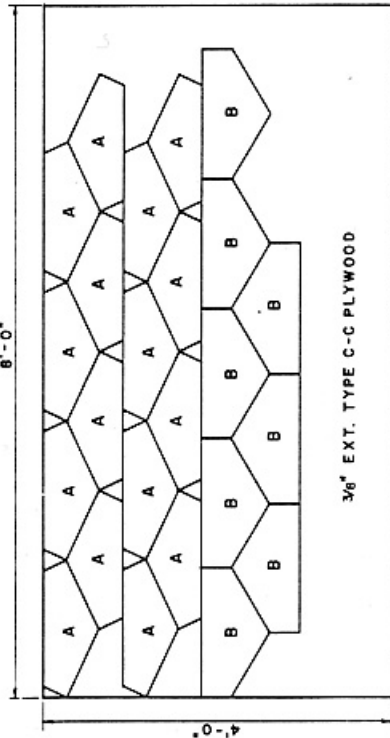
FRAME CUTTING LAYOUT (CUT FROM (8) 2x4x10')

SCALE: 3/4" = 1'-0"
12" 6" 0"



ALTERNATE CROSS SECTION

SCALE: 1/2" = 1'-0"
12" 6" 0"

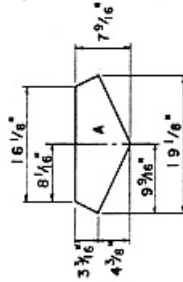


3/8" EXT. TYPE C-C PLYWOOD

PLYWOOD SHEET CUTTING DIAGRAM

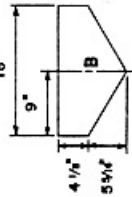
SCALE: 1" = 1'-0"
12" 6" 0"

SCALE: 1" = 1'-0"
12" 6" 0"



SIDE GUSSETS

16 REQ'D



HEAD GUSSETS

8 REQ'D

BILL OF MATERIALS

CORRUGATED FIBERGLASS REINFORCED PANELS (F.R.P.) *

5 OZ. COATING;

ROOF PANELS (8) 2x10' CUT IN HALF

SIDE PANELS (5) 2x12; 2 SHEETS EACH SIDE

5 TH SHEET CUT LENGTHWISE

END PANELS (9) 2x8' OF WHICH 5 ARE LOCATED

AT END WITH NO DOOR

LUMBER: (1) 12' LENGTH

(8) 2x4x10' TO MAKE FRAMES

(2) 2x4x10' SILL AT ENDS (PT. COPPER NAPHTHENATE)

(2) 2x4x12' SILL AT SIDES (PT. COPPER NAPHTHENATE)

(2) 2x4x16' END FRAMING

BENCH SUPPORTS NOT INCLUDED

(8) 3/4x4x12' FOR PURLINS & DOOR

(2) 4x4x16' P.T. POST FOR FOOTINGS

(1) 1x12x12' & (2) 1x12x10' REDWOOD BOARDS

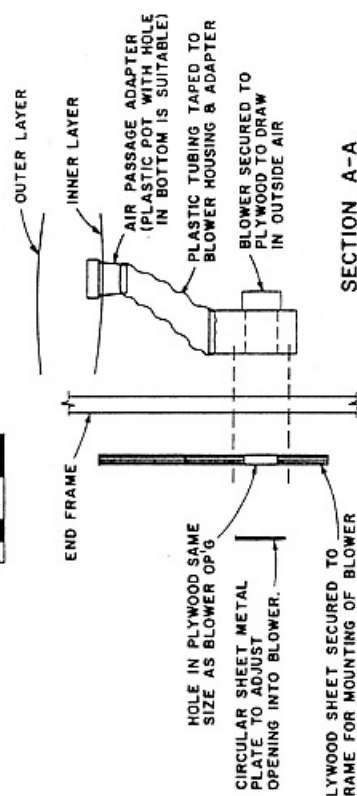
(1) 4x8x3/8' EXTERIOR TYPE CC PLYWOOD SHEET FOR

PLYWOOD GUSSETS. SEE CUTTING DIAGRAM.

* CHECK WITH FIBERGLASS SUPPLIER FOR NECESSARY

RELATED HARDWARE & COVERING INSTRUCTIONS.

NAILS, HINGES & LATCH.



SECTION A-A

ENVIRONMENTAL CONTROL

HEATING: TO MAINTAIN A TEMPERATURE DIFFERENCE OF 60°

BETWEEN INSIDE & OUTSIDE

30,000 BTU/HR. SINGLE COVERING

20,000 BTU/HR. DOUBLE COVERING

CONNECTION TO HOME HEATING SYSTEM IS MOST

DESIRABLE. IF NOT POSSIBLE, USE GAS OR OIL

HEATER VENTED TO THE OUTSIDE. ELECTRIC

HEATERS ARE EASY TO INSTALL. CLEAN, BUT

EXPENSIVE TO OPERATE. WHEN USING OIL OR

GAS, BE SURE TO PROVIDE A FRESH AIR SUPPLY

DIRECTLY TO THE HEATER TO SUPPLY OXYGEN

FOR COMBUSTION.

VENTILATING:

REQUIRE A TWO SPEED FAN RATED AT 1000 CFM.

AN AUTOMATIC AIR INLET OF 2.50' FT. IS

REQUIRED. THE FAN CAN BE MOUNTED IN ONE

GABLE END AND AIR INLET IN THE OTHER. BOTH

SHOULD BE CONTROLLED BY A THERMOSTAT.

FOR MORE INFORMATION, SEE USDA BULLETIN

NUMBER 357 "BUILDING HOBBY GREENHOUSES."