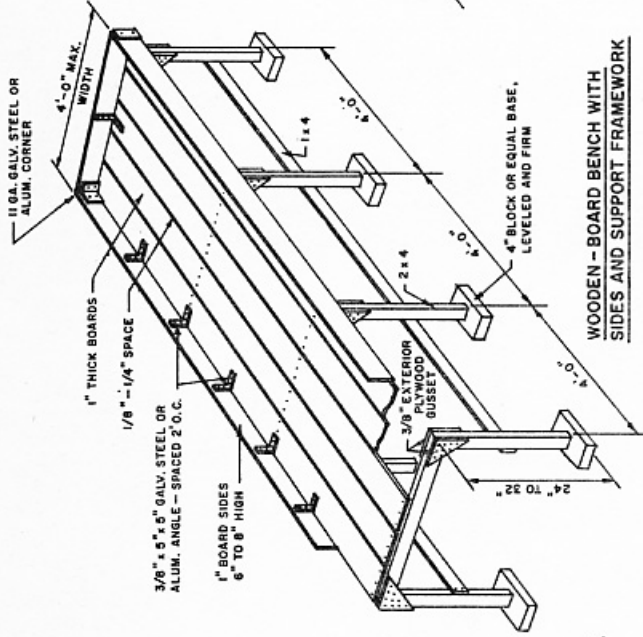


CORRUGATED ASBESTOS ("TRANSITE") BENCH WITH PIPE COLUMN AND RAIL SUPPORTS

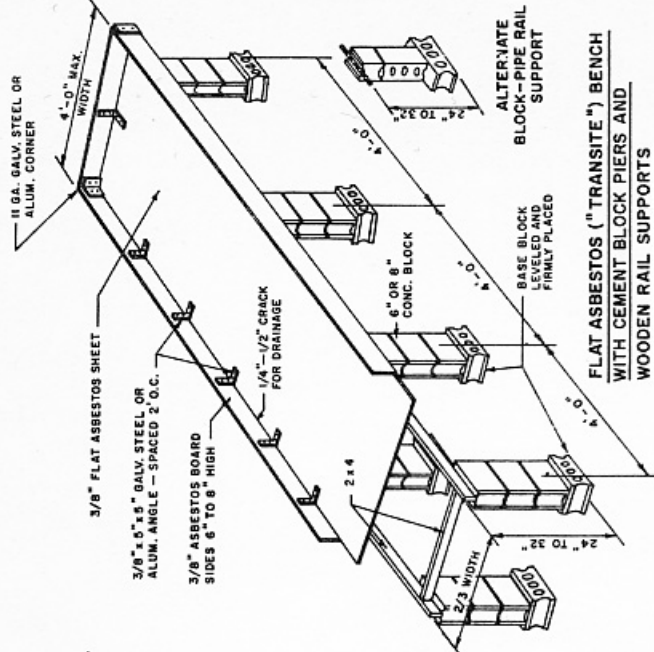
(NOTE: CAN USE BLOCK & WOOD SUPPORTS SHOWN AT RIGHT)

MENTION OF A TRADE NAME DOES NOT CONSTITUTE A GUARANTEE OR WARRANTY OF THE PRODUCT BY THE U.S. DEPARTMENT OF AGRICULTURE OR AN ENDORSEMENT BY THE DEPARTMENT. OTHER PRODUCTS NOT MENTIONED.

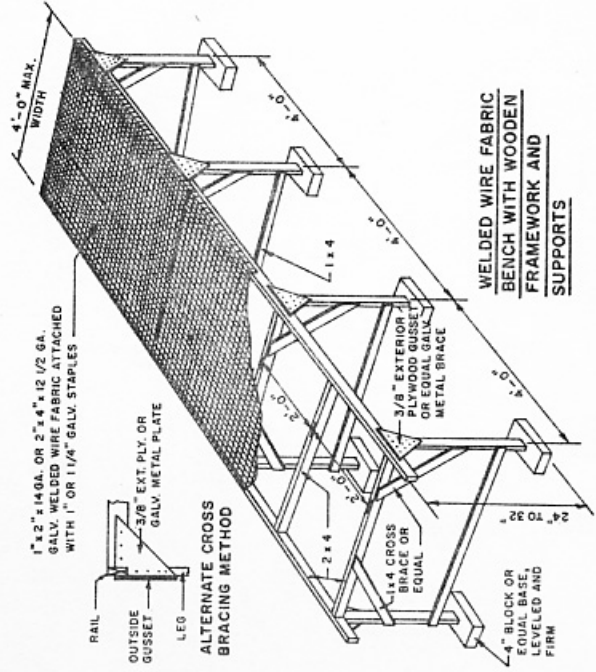


WOODEN-BOARD BENCH WITH SIDES AND SUPPORT FRAMEWORK

NOTE: FOR ALL LUMBER, USE DECAY RESISTANT SPECIES LIKE REDWOOD, OR PINE AND FIR, PRESSURE TREATED WITH A WATER-BORNE SALT-TYPE PRESERVATIVE, FOR LONG LIFE. METAL ANGLES HOLDING SIDEBORDS MAY BE ON OUTSIDE SURFACE, IF PREFERRED.

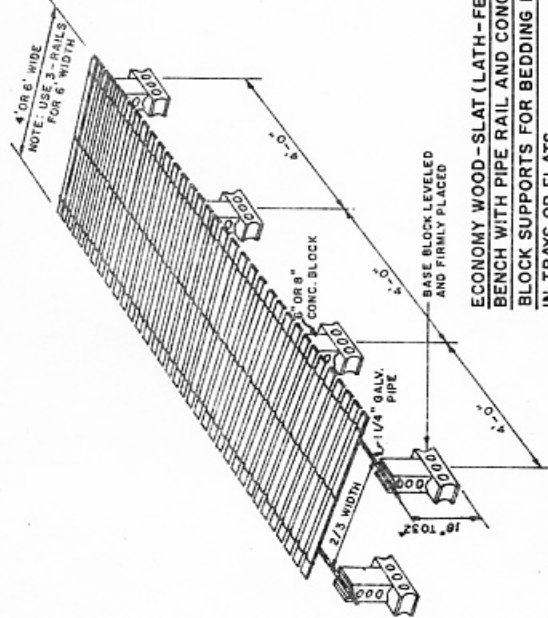


FLAT ASBESTOS ("TRANSITE") BENCH WITH CEMENT BLOCK PIERS AND WOODEN RAIL SUPPORTS

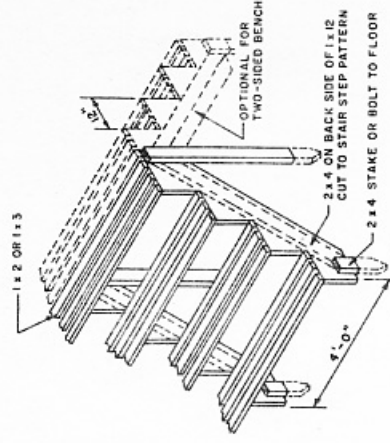


ALTERNATE CROSS BRACING METHOD

WELDED WIRE FABRIC BENCH WITH WOODEN FRAMEWORK AND SUPPORTS



ECONOMY WOOD-SLAT (LATH-FENCE) BENCH WITH PIPE RAIL AND CONCRETE BLOCK SUPPORTS FOR BEDDING PLANTS IN TRAYS OR FLATS



WOODEN STEP - BENCH

NOTE: HEIGHT AND NUMBER OF STEPS OPTIONAL.