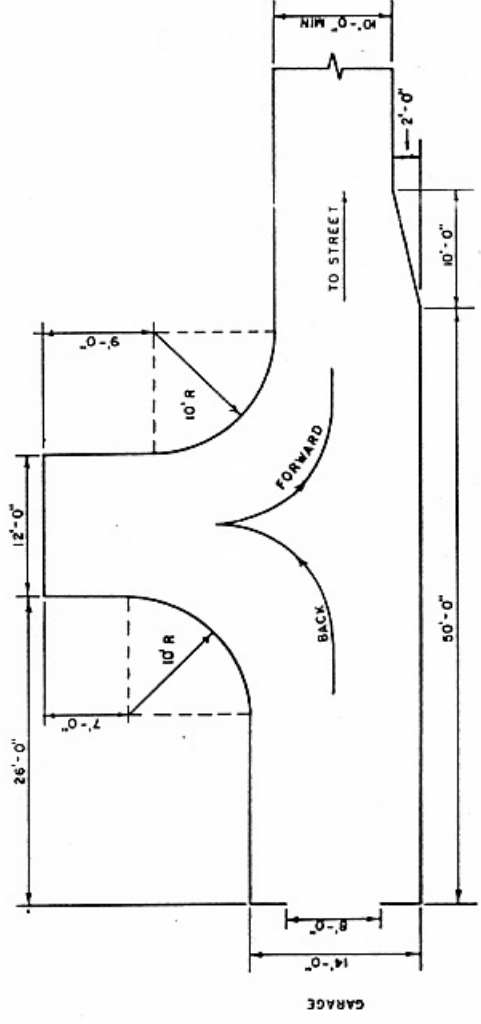


DRIVEWAYS



SCALE



GARAGE CONSTRUCTION NOTES

Roof: Purchase truss that satisfies span & snow load requirements. 3 in 12 min. slope for asphalt shingles.

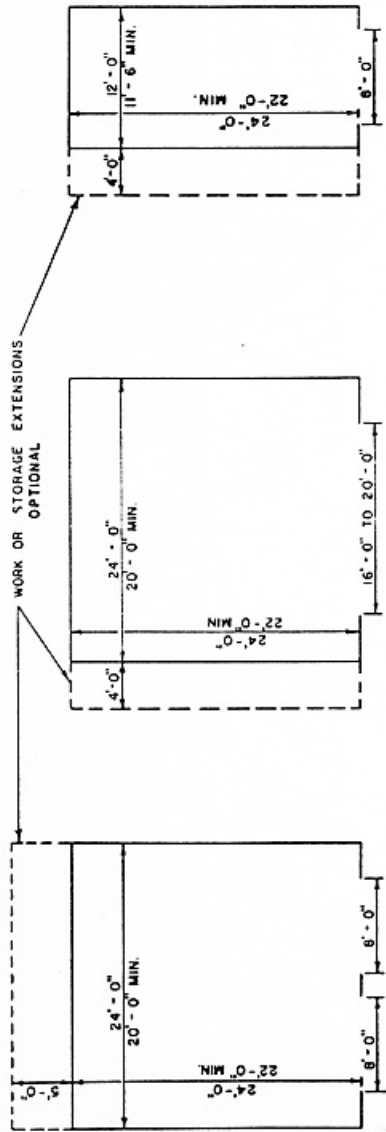
Garage Door Notes:

Overhead doors recommended -- Available in various widths and heights. Min. width = 8' / car; min. height = 8'. Minimum lintel size for 40lb/ft total load:

- 8' opening = 2x6 on edge
- 16' " = 2x8 on edge
- 20' " = 2-2x8 on edge or 1-2x10 on edge

Concrete Notes:

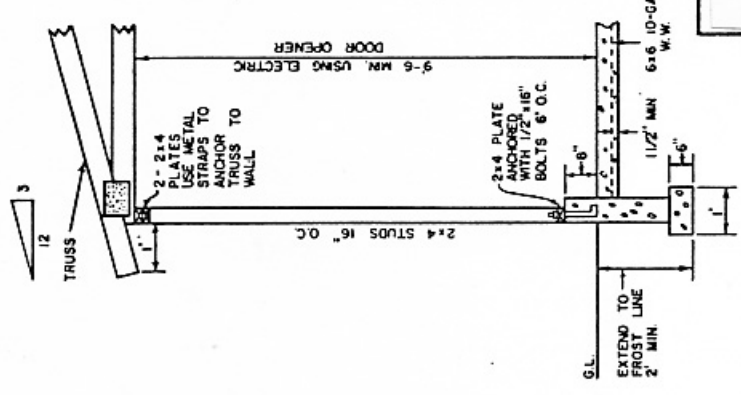
Floor: 4" min (5" better) thick slab with 6x6 - 10 ga. welded wire.
Foundation - 6" wide concrete or 8" concrete blocks. NOTE: Fill core of blocks for anchor bolts.



FLOOR PLANS (INTERIOR DIMENSIONS)



SCALE



WALL SECTION



SCALE

COOPERATIVE EXTENSION WORK IN AGRICULTURE AND HOME ECONOMICS
STATE OF TENNESSEE
UNIVERSITY OF TENNESSEE
AGRICULTURAL ENGINEERING DEPARTMENT
AND
UNITED STATES DEPARTMENT OF AGRICULTURE COOPERATING

PLANNING 1 AND 2 CAR GARAGES

MD '88 6415 SHEET 1 OF 1