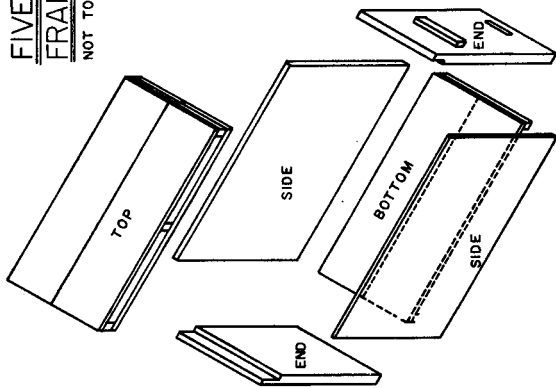
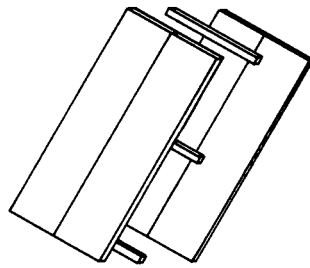


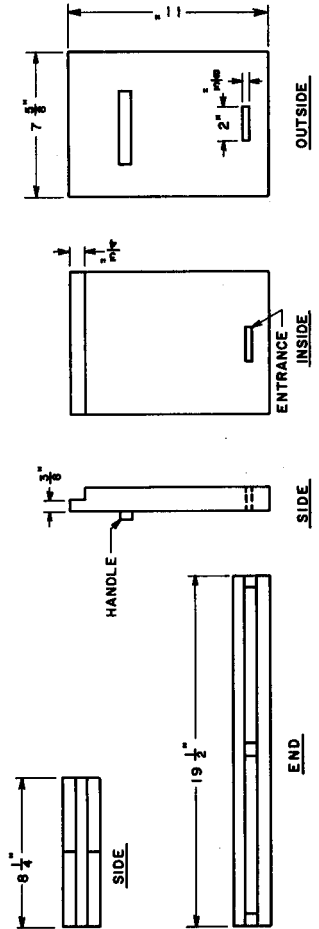
FIVE DEEP BROOD  
FRAME BROID  
NOT TO SCALE



EXPLODED ISOMETRIC VIEW  
NOT TO SCALE



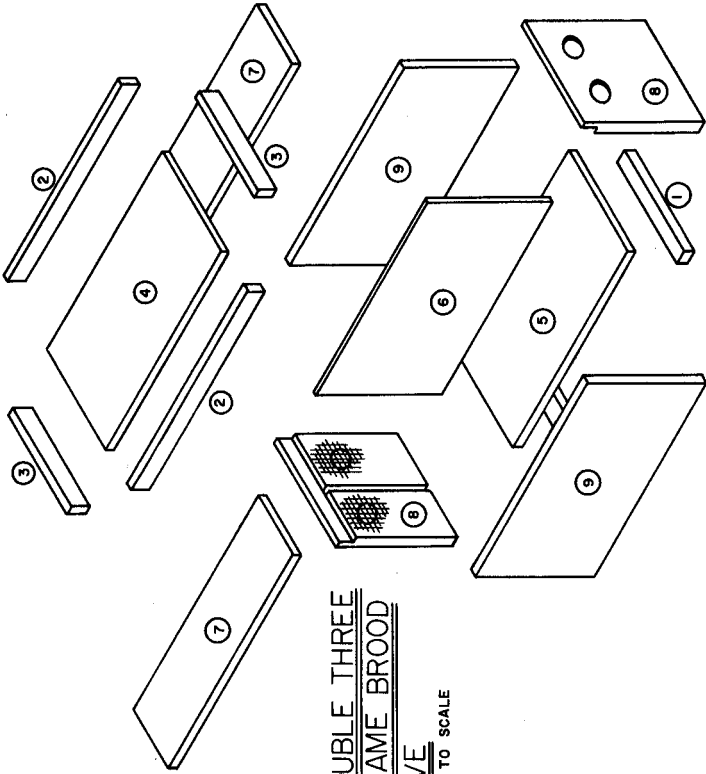
EXPLODED VIEW OF TOP  
NOT TO SCALE



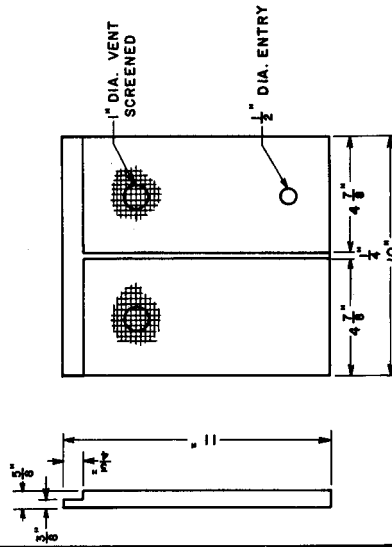
VIEW OF TOP

VIEW OF END

DOUBLE THREE  
FRAME BROID  
HIVE  
NOT TO SCALE



EXPLODED ISOMETRIC VIEW  
NOT TO SCALE



PART NO. 8 - END

- NOTE:
- PART NO. 6 AND NO. 7 TO BE REMOVABLE, DO NOT GLUE OR NAIL.
  - PARTS NO. 1, 2 AND 3 MADE FROM 1 x 2 PINE OR CYPRESS.
  - PART NO. 6 MADE FROM 1" EXT. A-A PLYWOOD.
  - ALL OTHER PARTS OF 5/8" EXT. A-A PLYWOOD.
  - TREAT ALL PARTS WITH PENTA SOLUTION.

PART NO.	LOCATION	SIZE
1	BOTTOM SUPPORT	1 1/2" x 10" x 3/4"
2	TOP RAIL	1 1/2" x 19" x 3/4"
3	TOP RAIL	1 1/2" x 12" x 3/4"
4	TOP	11 1/2" x 19" x 3/4"
5	BOTTOM	10" x 18 1/2" x 3/4"
6	DIVIDER	10 3/8" x 18 1/2" x 3/4"
7	INTER-TOP	4 1/2" x 18 1/2" x 3/4"
9	SIDE	11" x 19 1/2" x 3/4"



COOPERATIVE EXTENSION WORK IN  
AGRICULTURE AND HOME ECONOMICS  
STATE OF TENNESSEE  
UNIVERSITY OF TENNESSEE  
UNITED STATES DEPARTMENT OF AGRICULTURE COOPERATING

5 & 6 DEEP BROOD HIVE  
EX. 6327 SHEET 1 OF 1