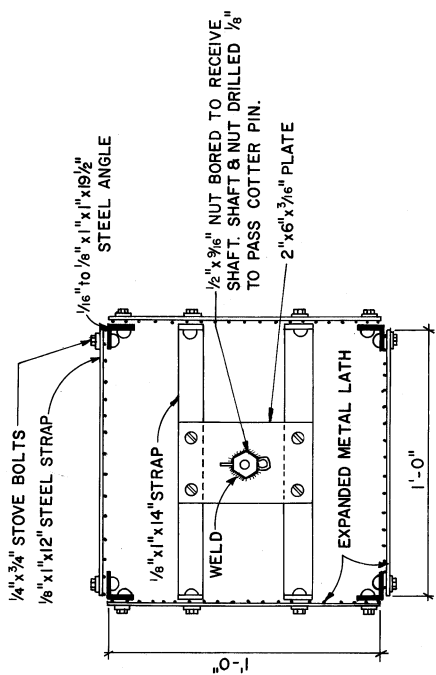
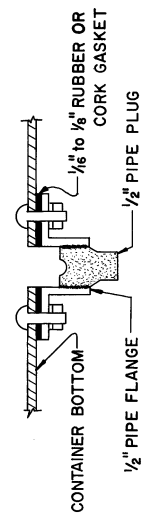


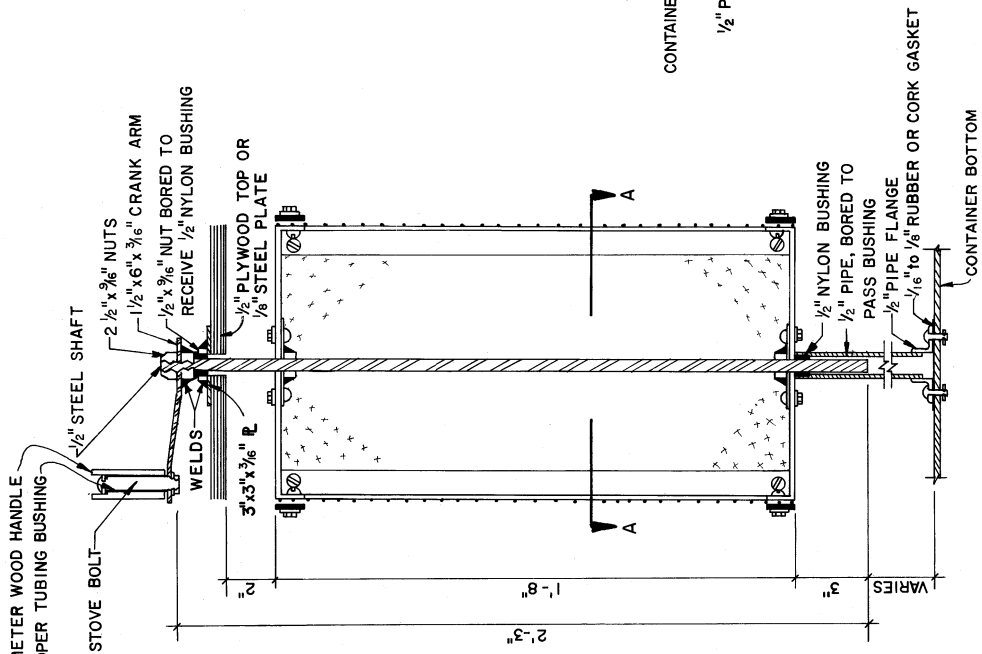
NOTE: THE HONEY EXTRACTOR IS USED TO SPIN HONEY OUT OF THE COMBS AFTER THEY HAVE BEEN UNCAPPED. THIS UNIT WILL HANDLE FOUR COMBS AT ONCE. CAUTION SHOULD BE USED WHEN EXTRACTING FROM NEW OR VERY OLD COMBS AS THEY ARE SUBJECT TO BREAKAGE. THESE COMBS SHOULD BE PARTIALLY EMPTIED ON ONE SIDE THEN TURNED AND PARTIALLY EMPTIED ON THE OTHER SIDE, REPEATING THIS PROCEDURE UNTIL ALL HONEY IS REMOVED.



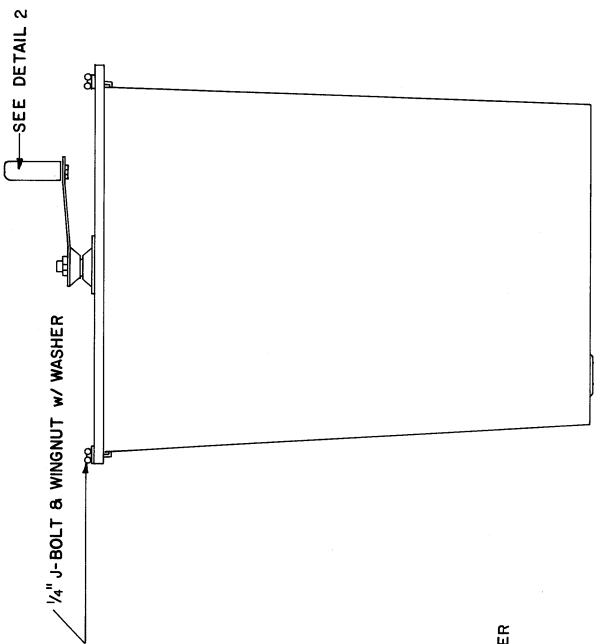
SECTION AA



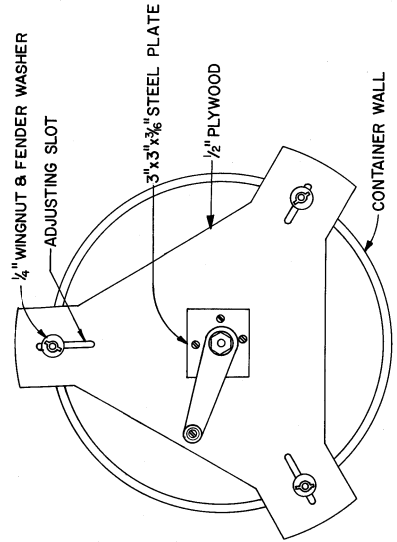
DETAIL 3 - DRAIN FITTING
NOT TO SCALE



DETAIL 2 - EXTRACTOR PARTIAL SECTION



SIDE VIEW



TOP VIEW

COOPERATIVE EXTENSION WORK IN
AGRICULTURE AND HOME ECONOMICS
STATE OF TENNESSEE
UNIVERSITY OF TENNESSEE
AND
UNITED STATES DEPARTMENT OF AGRICULTURE COOPERATING

HONEY EXTRACTOR
USDA 179 EX. 6330 SHEET 1 OF 1